

### APPLICATIONS



### LAMP SUITABILITY

70 W MH G12 BASE		150 W MH G12 BASE	
------------------------	--	-------------------------	--

### DIMENSIONS

#### Luminaire

Max. Ht. 750mm	Max. Span. 600mm	Column. Ht. 3000mm
----------------------	------------------------	--------------------------

### ORDER CODE

LUMINAIRE CODE	LAMP TYPE	OPTICS
NL-513-70MH	70 W MH CDMT G12	INDIRECT
NL-513-150MH	150 W MH CDMT G12	INDIRECT
COLUMN CODE	HEIGHT	
NL-C30-B12-P3114	3000MM	

### MOUNTING SUITABILITY

ON PCC FOUNDATION / PEDESTAL

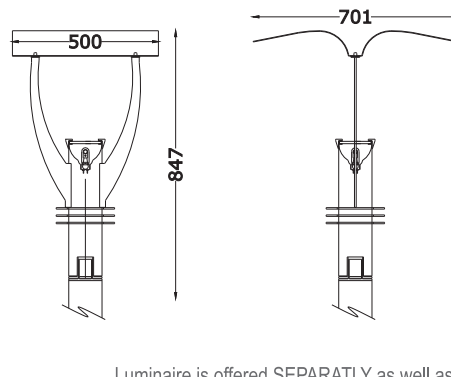
### DESCRIPTION

#### 'NOVA'

Luminaire comprises heavy MS housing, duly fabricated and precision finished. The housing is fine surface finished and painted with PU based automotive paint for extended lifetime performance. Integral control gear comprising heavy duty Ballast, Electronic solid state Ignitor, PF Capacitor and lamp holder all duly wired. The Optical Compartment comprises a high efficiency reflector is provided for wide beam distribution. Indirect profiled aluminium / FRP reflector provides wide area distribution.

### DESCRIPTION-COLUMN

Lighting Column made of 10 swg MS pipe sections, duly machined, welded and stress relieved for long service life. Column is provided with a heavy Base plate duly welded and provided with Ornamental base rib supports for stability. An integral Junction Chamber is provided along with a 6 Amps SP MCB and 4 way 10 sq mm connector block. Column and luminaire are fine finished and painted with long lasting PU based automotive paint



### NOTE

Luminaire is offered SEPARATLY as well as with coordinated decorative column. Please specify your requirement.