

APPLICATIONS



LAMP SUITABILITY

35 W G12-MH		18 W CFL G24D		50 W PAR 20 E27	
----------------	--	---------------------	--	-----------------------	--

DIMENSIONS

Luminaire

Body, Dia. 150mm	Canopy, Dia. 250mm	Max. Ht. 900mm	Max. Ht. 600mm	Max. Ht. 450mm
------------------------	--------------------------	----------------------	----------------------	----------------------

ORDER CODE

LUMINAIRE CODE	LAMP TYPE	OPTICS
NL-5777-1P18-450/600/900	18Watts CFL-230V	Wide Sym
NL-5777-35MH-450/600/900	35Watts MH-G12	Wide Sym
NL-5777-50 PAR 20-450/600/900	50Watts PAR 20 LAMP	Wide Sym

MOUNTING SUITABILITY

ON FLOOR-PCC LIGHT PEDESTAL

DESCRIPTION

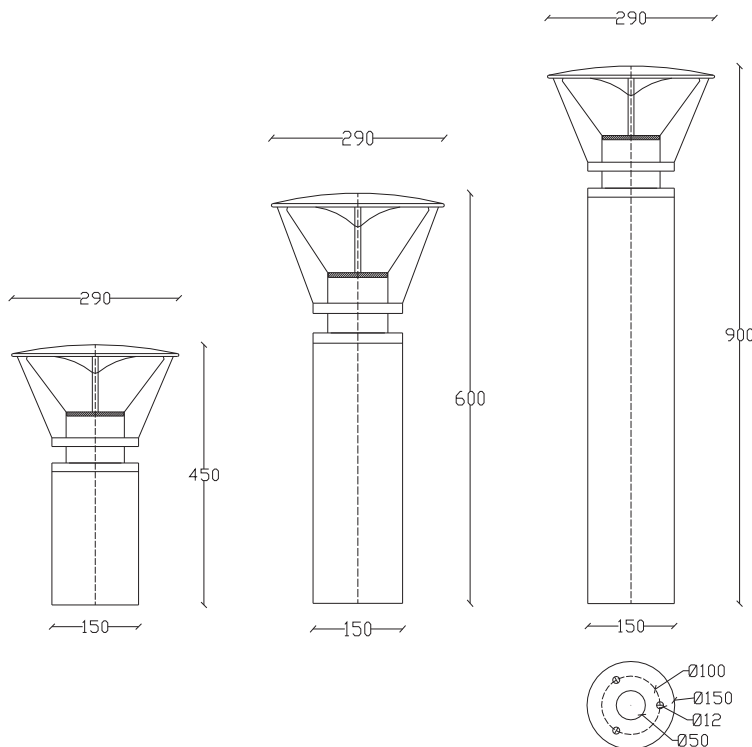
'NOVA'

Luminaire comprises Aluminium Extruded body Cast aluminium support arms and cast aluminium top canopy An auxilliary reflector is provided for wide beam distribution.

Luminaire is provided with appropriate heavy duty control gear for the lamp configuration selected (Please refer the Code Ref) Heat Resistant toughened glass clear diffuser, built in optical control devices, SS allen head screws.

Duty fabricated and precision finished. The housing is fine surface finished and painted with PU based automotive paint for extended lifetime performance.

The Optical Compartment comprises a high efficiency reflector is provided for wide beam distribution. Indirect spun aluminium reflector provides wide beam distribution.



NOTE

Indirect Luminaire - Reduced Upward Light Pollution