

# NL-7563-901PLED

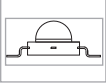


## APPLICATIONS



IP-68

## LAMP SUITABILITY



## DIMENSIONS

### Luminaire

Max. Depth. 120mm	Max. Dia. 175mm
----------------------	--------------------

## ORDER CODE

LUMINAIRE CODE	LAMP TYPE	OPTICS
NL-7563-901PLED-CW	9 Nos 1W LED-CW	30Deg. Beam
NL-7563-901PLED-WW	9 Nos 1W LED-WW	30Deg. Beam
NL-7563-901PLED-R	9 Nos 1W LED-RED	30Deg. Beam
NL-7563-901PLED-G	9 Nos 1W LED-GREEN	30Deg. Beam
NL-7563-901PLED-B	9 Nos 1W LED-BLUE	30Deg. Beam

## MOUNTING SUITABILITY

ON SS PEDESTAL / CLAMP

## DESCRIPTION

### 'NOVA'

#### UNDERWATER UPLIGHTER

Material of construction: Marine Grade 304, Stainless steel housing, duly machined and polished. SS Flange.

With Power LED lamps, mounted on an aluminium sandwiched PCB board, The luminaire shall be provided with internal thermal management heat sink for LED junction Temperature. Suitable for operation on constant current driver.

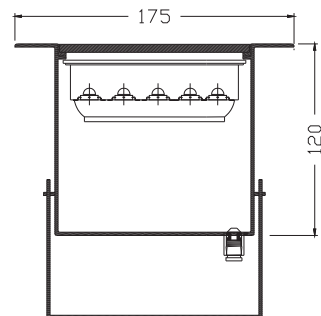
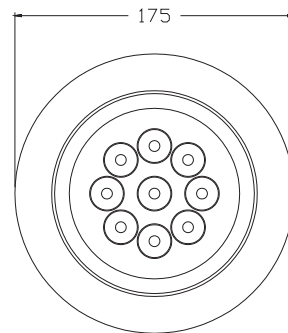
Toughened glass diffuser, silicone sealed to ensure complete water ingress protection. IP68

Non hygroscopic copper wire PVC sheathed cable of adequate length is provided. Cable exit through water proof sealed gland.

Additional housing for wall / floor embedded mounting

Remote Heavy duty electronic LED Driver recommended.

Driver to separate detail.



## NOTE