

APPLICATIONS



LAMP SUITABILITY



DIMENSIONS

Luminaire

Max. Depth. 120mm	Max. Dia. 150mm
-------------------	-----------------

ORDER CODE

LUMINAIRE CODE	LAMP TYPE	OPTICS
NL-764-1H50	50W,12V, Dic Halogen	15 / 29 Deg
NL-764-1H75	75W,12V, Dic Halogen	40 Deg

MOUNTING SUITABILITY

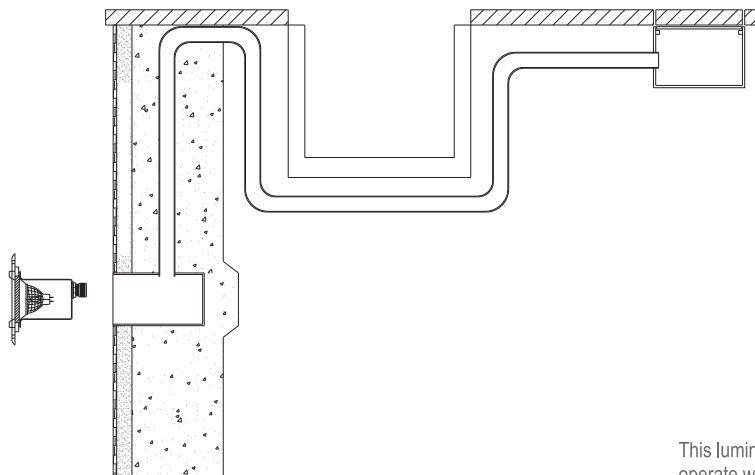
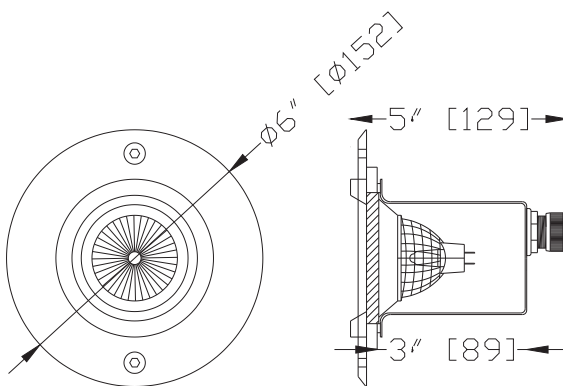
RECESSED IN WALL
RECESSED IN FLOOR

DESCRIPTION

'NOVA'

Mini Flood underwater luminaire is fabricated from cast gun metal duly machined to fine tolerances. Rear lamp housing is made of stainless steel. Both metals are specially used to prevent corrosion due to chlorinated water. Heat resistant toughened glass is provided along with endless neoprene water tight gaskets to ensure water tight seal at the front and water tight Nickel plated Cable Gland at the rear for cable entry. Top servicing of the luminaire is made possible by removing the luminaire without the need for lowering the water level.

1 Metre cable is left coiled in the luminaire niche for this purpose. Group Control of luminaires is recommended by underground cable from a central step down transformer to individual luminaire through looped junction boxes in earth.



NOTE

This luminaire is designed for UNDERWATER application. Do not operate without sufficient water around the same.