

NL-6584-PLED

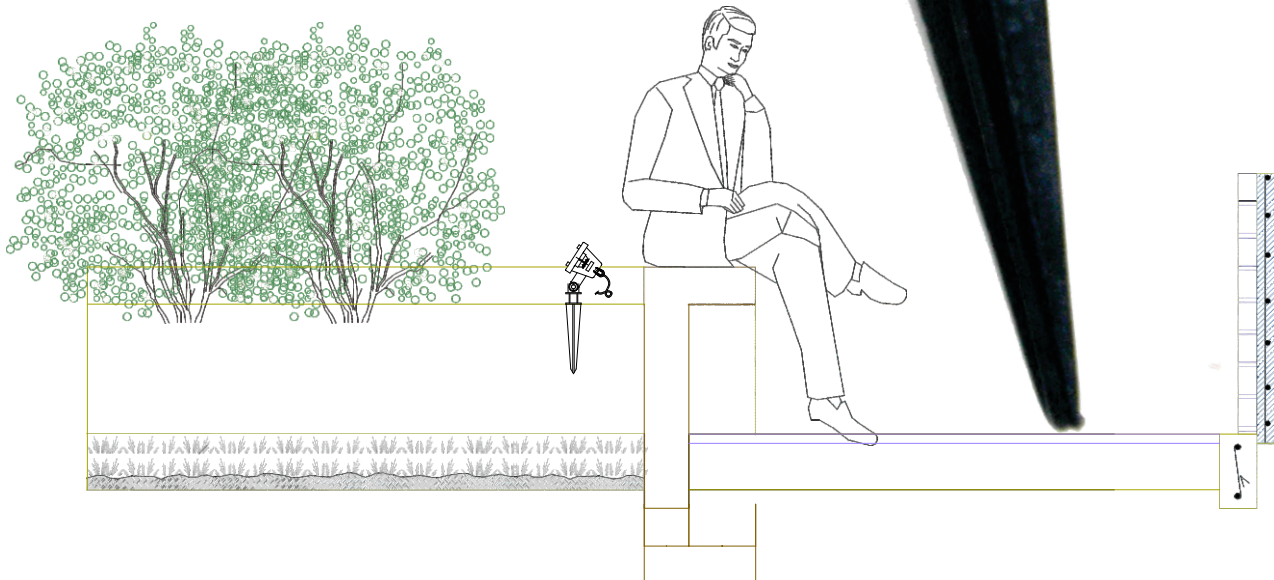
SPIKE UPLIGHTER LUMINAIRE



3W LED
Spike Luminaire

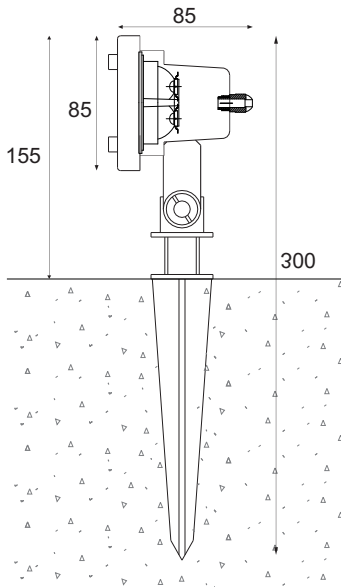


3W Spike Lighting Fixture
suitable for Lighting
600mm -750mm height Shrubs



LANDSCAPE FLOOD LIGHTING





APPLICATIONS



LAMP SUITABILITY



DIMENSIONS

Luminaire

Luminaire Height+Spike 300mm	Luminaire Above Gnd 155mm	Luminaire Diameter 85mm
---------------------------------	------------------------------	----------------------------

ORDER CODE

LUMINAIRE CODE	LAMP TYPE	OPTICS	Watts
NL-6584-301PLED-WW	3 x 1W Warm White	7°,15°,24°,36°	3W
NL-6584-301PLED-NW	3 x 1W Neutral White	7°,15°,24°,36°	3W
NL-6584-301PLED-CW	3 x 1W Cool White	7°,15°,24°,36°	3W

DESCRIPTION FIXTURE

ARCHITECTURAL LIGHTING LUMINAIRE

Housing: NOVA make Luminaire comprises of cast aluminum body with cast aluminum top cover for a heavy duty all weather tough body. Toughened glass with silicon gasket and silicon sealant for protection from insect and dust. Built in optical control devices, SS allen head screws. Heavy duty cast brass luminaire AiNL Spike for mounting in gravel, all components duly assembled and precision finished by AiNL fabrication technique. The housing is fine surface finished and painted with PU based automotive paint for extended lifetime performance.

Electrical Compartment: Power supply comprises of AC-DC / DC-DC, Constant current / Constant Voltage Solid State Electronic Driver with Precise current / Voltage Control, Wide Operating Voltage Range, Short Circuit / Open Circuit, High Voltage / Surge Protection, Thermal Cut Off Protection for extended life time performance.

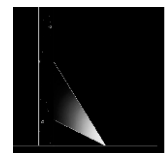
Optical Compartment: AiNL Cluster LED's with inbuilt AiNL LED Lenses. High Efficiency AiNL LED Lenses for Power LED's to achieve varied lighting application.

MOUNTING SUITABILITY

STAND MOUNTED ON FLOOR & WALL

INGRESS PROTECTION

IP RATING: IP65
IK RATING: IK09



Distribution

NOTE

The Luminaire water ingress protected but is not water submersible

NL-6584-PEDESTAL



APPLICATIONS



LAMP SUITABILITY



DIMENSIONS

Luminaire

Luminaire Height+Spike 300mm	Luminaire Above Gnd 155mm	Luminaire Diameter 85mm
---------------------------------	------------------------------	----------------------------



ORDER CODE

LUMINAIRE CODE	LAMP TYPE	OPTICS	Watts
NL-6584-301PLED-WW	3 x 1W Warm White	7°,15°,24°,36°	3W
NL-6584-301PLED-NW	3 x 1W Neutral White	7°,15°,24°,36°	3W
NL-6584-301PLED-CW	3 x 1W Cool White	7°,15°,24°,36°	3W

DESCRIPTION FIXTURE

ARCHITECTURAL LIGHTING LUMINAIRE

Housing: NOVA make Luminaire comprises of cast aluminum body with cast aluminum top cover for a heavy duty all weather tough body. Toughened glass with silicon gasket and silicon sealant for protection from insect and dust. Built in optical control devices, SS allen head screws. Heavy duty cast brass luminaire *AiNL* Spike for mounting in gravel, all components duly assembled and precision finished by *AiNL fabrication technique*. The housing is fine surface finished and painted with PU based automotive paint for extended lifetime performance.

Electrical Compartment: Power supply comprises of AC-DC / DC-DC, Constant current / Constant Voltage Solid State Electronic Driver with Precise current / Voltage Control, Wide Operating Voltage Range, Short Circuit / Open Circuit, High Voltage / Surge Protection, Thermal Cut Off Protection for extended life time performance.

Optical Compartment: *AiNL* Cluster LED's with inbuilt *AiNL* LED Lenses. High Efficiency *AiNL* LED Lenses for Power LED's to achieve varied lighting application.

MOUNTING SUITABILITY

STAND MOUNTED ON FLOOR & WALL

INGRESS PROTECTION

IP RATING: IP65
IK RATING: IK09



NOTE

The Luminaire water ingress protected but is not water submersible



LANDSCAPE FLOOD LIGHTING



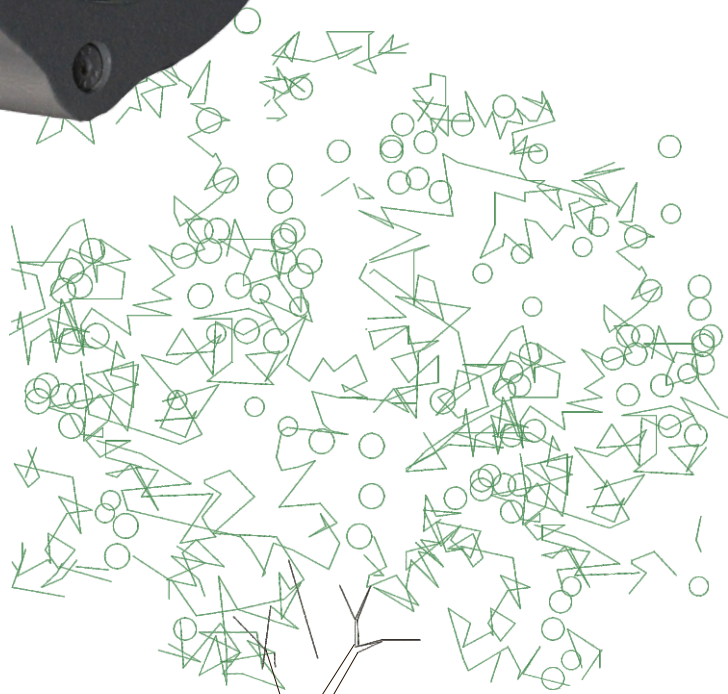


NL-6645-PLED

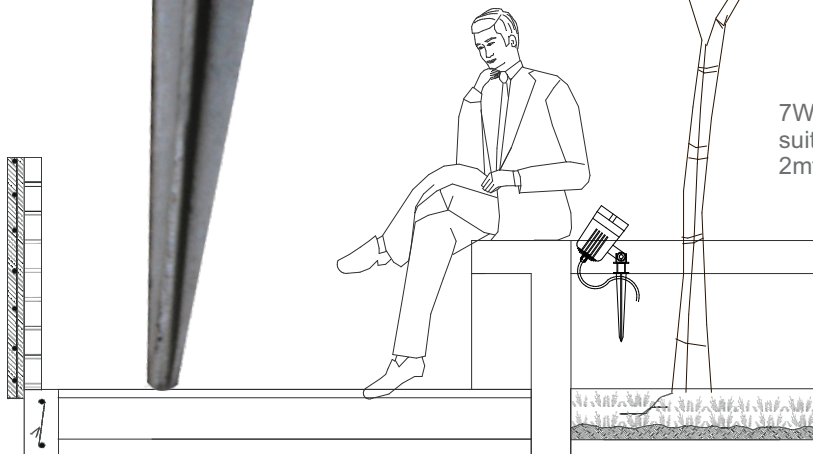
SPIKE UPLIGHTER LUMINAIRE

7W LED
Spike Luminaire

LANDSCAPE FLOOD LIGHTING



7W Spike Lighting Fixture
suitable for Lighting
2mts -3mts height Trees



XXX

NL-6645-PLED



APPLICATIONS



LAMP SUITABILITY



DIMENSIONS

Luminaire

Luminaire Diameter 110mm	Luminaire & Spike 325mm	Only Spike 165mm
-----------------------------	----------------------------	---------------------



ORDER CODE

LUMINAIRE CODE	LAMP TYPE	OPTICS	Watts
NL-6645-701PLED-WW	7 x 1W Warm White	7°,15°,24°,36°	7W
NL-6645-701PLED-NW	7 x 1W Neutral White	7°,15°,24°,36°	7W
NL-6645-701PLED-CW	7 x 1W Cool White	7°,15°,24°,36°	7W

DESCRIPTION FIXTURE

Spike LED Spot LUMINAIRE

Housing: NOVA make Cast Aluminum housing and top cover machined and finished, toughened glass diffuser with silicon gasket and sealant to ensure complete water, insect and dust ingress protection. Non hygroscopic copper wire PVC sheathed cable of adequate length is provided. Cable exit through water proof sealed M16 cable gland. AiNL Cast & Machined Brass Spike/ Stand for heavy duty long life performance. Luminaire Precision Finished by AiNL fabrication technique with PU Based Automotive Paint for Long Life Performance.

Electrical Compartment: Power supply comprises of AC-DC / DC-DC, Constant current / Constant Voltage Solid State Electronic Driver with Precise current / Voltage Control, Wide Operating Voltage Range, Short Circuit / Open Circuit, High Voltage / Surge Protection, Thermal Cut Off Protection for extended life time performance.

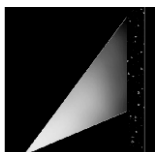
Optical Component: High Efficiency AiNL LED Lens for varied lighting application.

MOUNTING SUITABILITY

SPIKE MOUNTING

PROTECTION

IP Rating: IP66
IK Rating: IK08

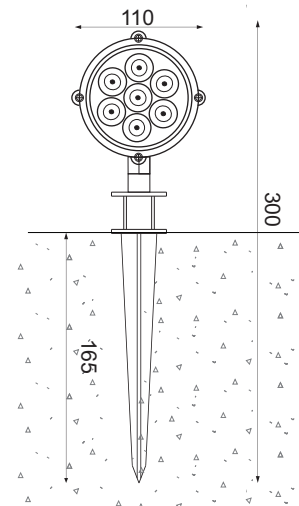


Distribution

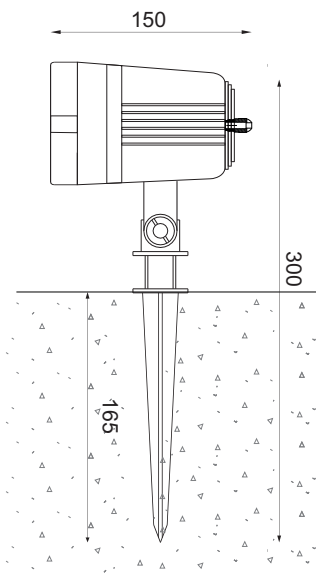
NOTE

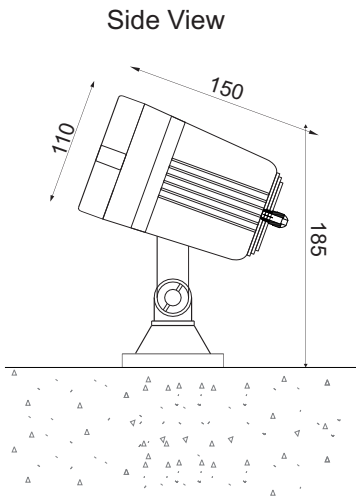
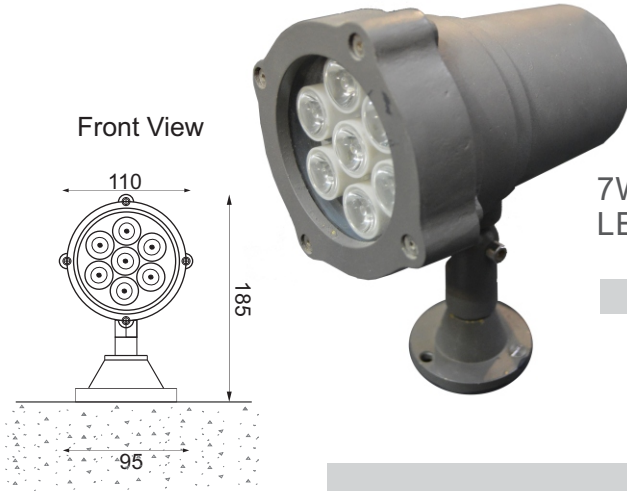
Ensure enough cavity below and around the luminaire fill the cavity with pebbles and gravel. The luminaire is water ingress protected but is not water submersible. Accessories pvc embedding chamber to ensure adequate heat dissipation volume and to ensure water permeation.

Front View



Side View





7W Stand Mounted LED Spot Luminaire

Ingress Protection

IP Rating: IP65
IP Rating: IK09

APPLICATIONS



LAMP SUITABILITY



DIMENSIONS

Luminaire

Luminaire Diameter 110mm	Luminaire Height 185mm	Luminaire Depth 150mm
-----------------------------	---------------------------	--------------------------

ORDER CODE

LUMINAIRE CODE	LAMP TYPE	OPTICS	Watts
NL-6646-701PLED-WW	7 x 1W Warm White	7°,15°,24°,36°	7W
NL-6646-701PLED-NW	7 x 1W Neutral White	7°,15°,24°,36°	7W
NL-6646-701PLED-CW	7 x 1W Cool White	7°,15°,24°,36°	7W

DESCRIPTION FIXTURE

FLOOR MOUNTED LED SPOT LUMINAIRE

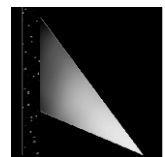
Housing: Cast Aluminium housing and top cover machined and finished, toughened glass diffuser with silicon gasket and sealant to ensure complete water, insect and dust ingress protection. Non hygroscopic copper wire PVC sheathed cable of adequate length is provided. Cable exit through water proof sealed M16 cable gland. Cast & Machined Brass Spike/ Stand for heavy duty long life performance. Luminaire Precision Finished with PU Based Automotive Paint for Long Life Performance.

Electrical Compartment: Power supply comprises of AC-DC / DC-DC, Constant current / Constant Voltage Solid State Electronic Driver with Precise current / Voltage Control, Wide Operating Voltage Range, Short Circuit / Open Circuit, High Voltage / Surge Protection, Thermal Cut Off Protection for extended life time performance.

Optical Component: High Efficiency LED Lens for varied lighting application.



Accessories:
Tree Strap



Distribution

NOTE

The Luminaire water ingress protected but is not water submersible

NL-6645-HOOD-SPIKE



APPLICATIONS



LAMP SUITABILITY



POWER-LED

DIMENSIONS

Luminaire

Luminaire Diameter 110mm	Luminaire & Spike 325mm	Only Spike 165mm
-----------------------------	----------------------------	---------------------



ORDER CODE

LUMINAIRE CODE	LAMP TYPE	OPTICS	Watts
NL-6645-701PLED-WW	7 x 1W Warm White	7°,15°,24°,36°	7W
NL-6645-701PLED-NW	7 x 1W Neutral White	7°,15°,24°,36°	7W
NL-6645-701PLED-CW	7 x 1W Cool White	7°,15°,24°,36°	7W

DESCRIPTION FIXTURE

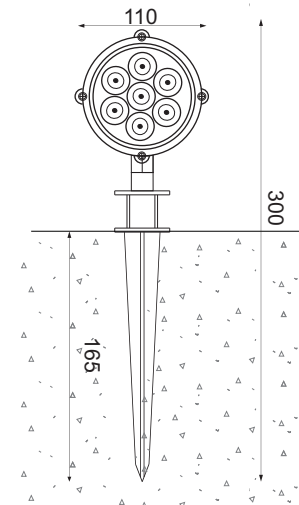
Spike LED Spot LUMINAIRE

Housing: NOVA make Cast Aluminum housing and top cover machined and finished, toughened glass diffuser with silicon gasket and sealant to ensure complete water, insect and dust ingress protection. Non hygroscopic copper wire PVC sheathed cable of adequate length is provided. Cable exit through water proof sealed M16 cable gland. AiNL Cast & Machined Brass Spike/ Stand for heavy duty long life performance. Luminaire Precision Finished by AiNL fabrication technique with PU Based Automotive Paint for Long Life Performance.

Electrical Compartment: Power supply comprises of AC-DC / DC-DC, Constant current / Constant Voltage Solid State Electronic Driver with Precise current / Voltage Control, Wide Operating Voltage Range, Short Circuit / Open Circuit, High Voltage / Surge Protection, Thermal Cut Off Protection for extended life time performance.

Optical Component: High Efficiency AiNL LED Lens for varied lighting application.

Front View

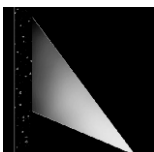


MOUNTING SUITABILITY

SPIKE MOUNTING

PROTECTION

IP Rating: IP66
IK Rating: IK08



Distribution

NOTE

Ensure enough cavity below and around the luminaire fill the cavity with pebbles and gravel. The luminaire is water ingress protected but is not water submersible. Accessories pvc embedding chamber to ensure adequate heat dissipation volume and to ensure water permeation.



LANDSCAPE FLOOD LIGHTING



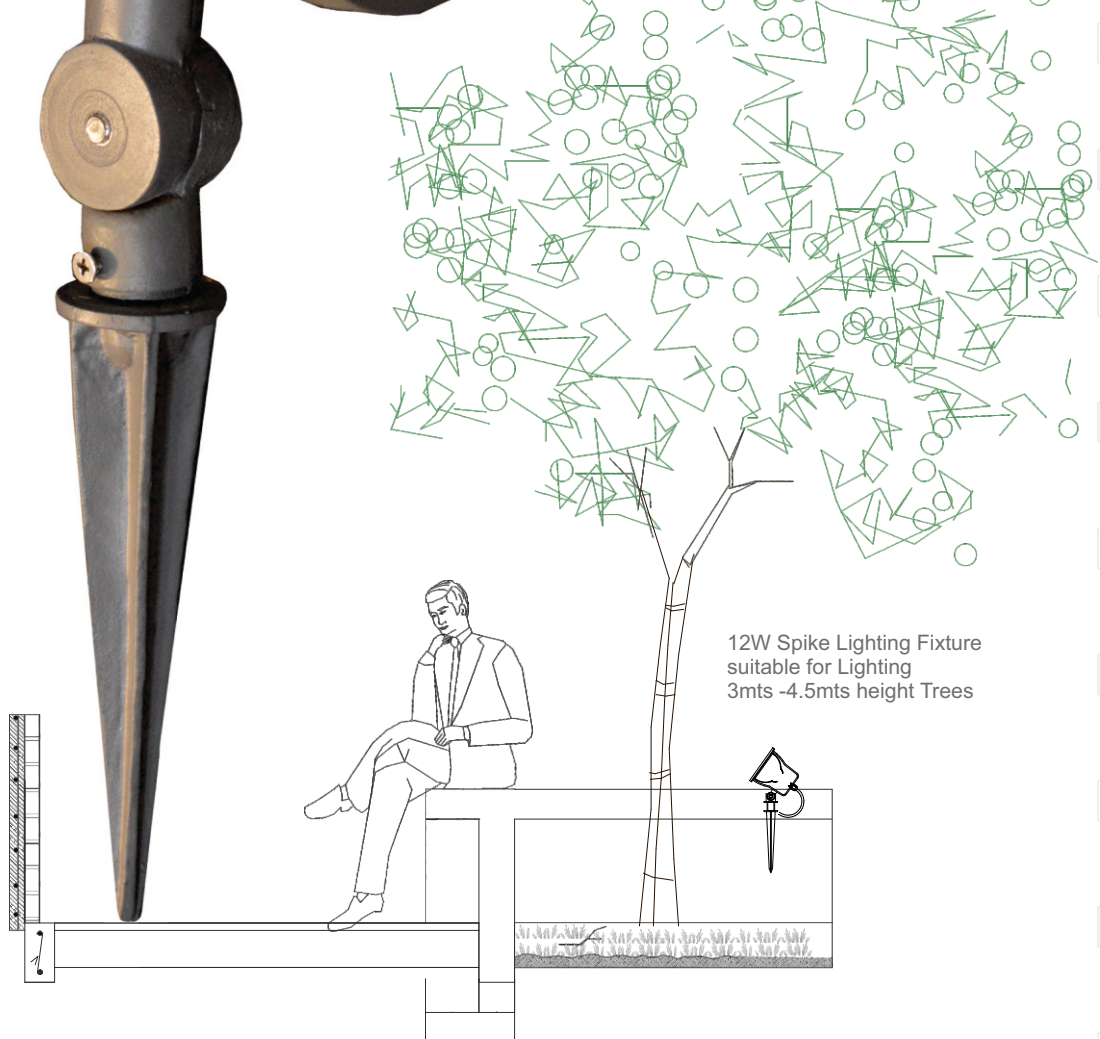


NL-5883-PLED

SPIKE UPLIGHTER LUMINAIRE

12W LED
Spike Luminaire

LANDSCAPE FLOOD LIGHTING



12W Spike Lighting Fixture
suitable for Lighting
3mts -4.5mts height Trees

XXX

NL-5883-PLED



APPLICATIONS



LAMP SUITABILITY



DIMENSIONS

Luminaire

Luminaire Diameter 135mm	Luminaire Depth 155mm	Luminaire & Spike 325mm	Only Spike 165mm
-----------------------------	--------------------------	----------------------------	---------------------



ORDER CODE

LUMINAIRE CODE	LAMP TYPE	OPTICS	Watts
NL-5883-1201-PLED-WW	12 x 1W Warm White	7°,15°,24°,36°	12W
NL-5883-1201PLED-NW	12 x 1W Neutral White	7°,15°,24°,36°	12W
NL-5883-1201PLED-CW	12 x 1W Cool White	7°,15°,24°,36°	12W

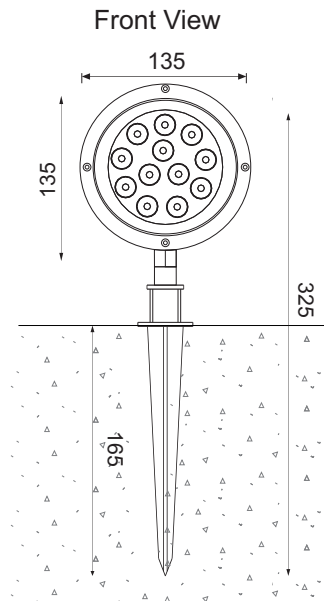
DESCRIPTION FIXTURE

Spike LED Spot LUMINAIRE

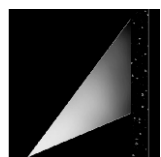
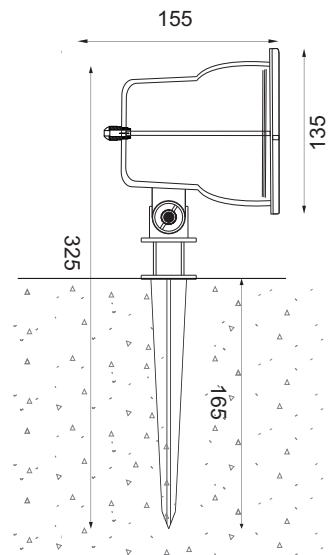
Housing: NOVA make Cast Aluminum housing and top cover machined and finished, toughened glass diffuser with silicon gasket and sealant to ensure complete water, insect and dust ingress protection. Non hygroscopic copper wire PVC sheathed cable of adequate length is provided. Cable exit through water proof sealed M16 cable gland. AiNL Cast & Machined Brass Spike/ Stand for heavy duty long life performance. Luminaire Precision Finished by AiNL fabrication technique with PU Based Automotive Paint for Long Life Performance.

Electrical: Luminaire Suitable for PAR and LED Lamps. LED Lamp mounted on AiNL aluminum sandwiched PCB board, The luminaire shall be provided with internal thermal management AiNL heat sink for LED junction Temperature. Integral Heavy duty electronic, AiNL constant current LED Driver. Suitable for operation on 220v AC supply. PAR Lamp operation at direct 220V Supply.

Optical Component: AiNL High Efficiency LED Lens for varied lighting application.



Side View



Distribution

MOUNTING SUITABILITY

SPIKE MOUNTING

PROTECTION

IP Rating: IP65
IK Rating: IK08



NOTE

Ensure enough cavity below and around the luminaire fill the cavity with pebbles and gravel. The luminaire is water ingress protected but is not water submersible. Accessories embedding chamber to ensure adequate heat dissipation volume and to ensure water permeation.





NL-6487

LANDSCAPE FLOOD LIGHTING



3W/5W Stand Mounted LED Spot Luminaire

APPLICATIONS



LAMP SUITABILITY



DIMENSIONS

Luminaire

Luminaire Height+Base
155mm

Luminaire Diameter
85mm

ORDER CODE

LUMINAIRE CODE	LAMP TYPE	OPTICS	Watts
NL-6487-301PLED-WW	3 x 1W Warm White	7°,15°,24°,36°	3W
NL-6487-301PLED-NW	3 x 1W Neutral White	7°,15°,24°,36°	3W
NL-6487-301PLED-CW	3 x 1W Cool White	7°,15°,24°,36°	3W

DESCRIPTION FIXTURE

FLOOR MOUNTED SPOT LUMINAIRE

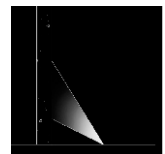
Housing: NOVA make Luminaire comprises of cast aluminum body with cast aluminum top cover for a heavy duty all weather tough body. Toughened glass with silicon gasket and silicon sealant for protection from insect and dust. Built in optical control devices, SS allen head screws. Heavy duty cast brass luminaire base attaching the fixture to the base, all components duly assembled and precision finished using *AiNL processing technique*. The housing is *AiNL* fine surface finished and painted with PU based automotive paint for extended lifetime performance.

Electrical Compartment: Power supply comprises of AC-DC / DC-DC, Constant current / Constant Voltage Solid State Electronic Driver with Precise current / Voltage Control, Wide Operating Voltage Range, Short Circuit / Open Circuit, High Voltage / Surge Protection, Thermal Cut Off Protection for extended life time performance.

Optical Compartment: Luminaire integrated with high efficiency *AiNL* LED Lenses for varied application.

INGRESS PROTECTION

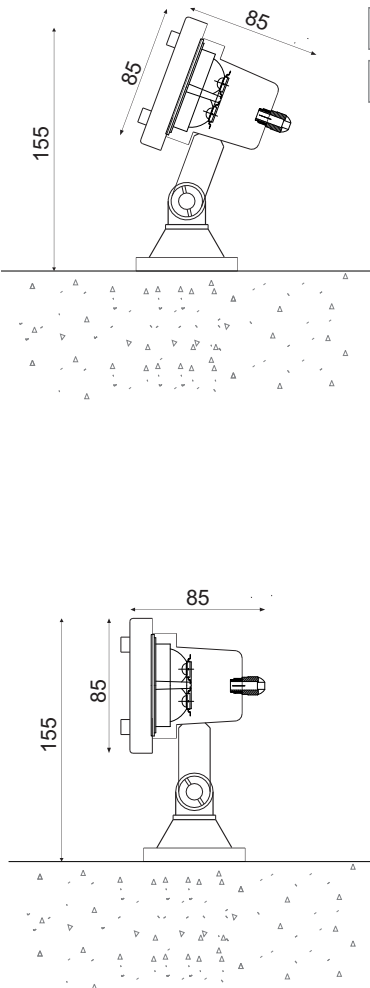
IP RATING:IP65



Distribution

NOTE

The Luminaire water ingress protected but is not water submersible



NL-5882-BASE



APPLICATIONS



12W Stand Mounted LED Spot Luminaire

LAMP SUITABILITY



POWER-LED

DIMENSIONS

Luminaire

Luminaire Height 225mm	Luminaire Diameter 135mm	Luminaire Depth 155mm
---------------------------	-----------------------------	--------------------------



ORDER CODE

LUMINAIRE CODE	LAMP TYPE	OPTICS	Watts
NL-5882-1201PLED-WW	12 x 1W Warm White	7°,15°,24°,36°	12W
NL-5882-1201PLED-NW	12 x 1W Neutral White	7°,15°,24°,36°	12W
NL-5882-1201PLED-CW	12 x 1W Cool White	7°,15°,24°,36°	12W

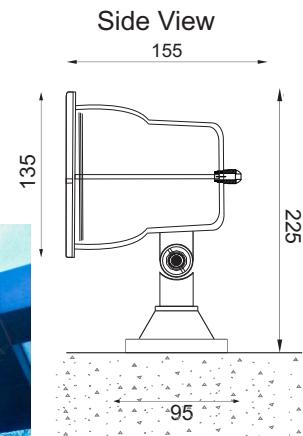
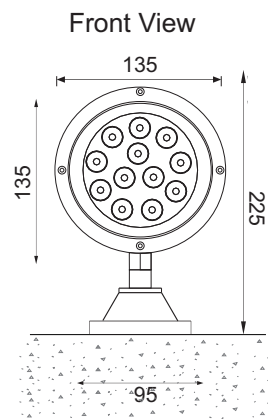
DESCRIPTION FIXTURE

SURFACE MOUNTED SPOT LUMINAIRE

Housing: NOVA make Cast Aluminum housing and top cover machined and finished, toughened glass diffuser with silicon gasket and sealant to ensure complete water, insect and dust ingress protection. Non hygroscopic copper wire PVC sheathed cable of adequate length is provided. Cable exit through water proof sealed M16 cable gland. Cast & Machined Aluminum AiNL Stand for heavy duty long life performance. Luminaire Precision Finished by *AiNL fabrication technique* & PU Based Automotive Paint for Long Life Performance.

Electrical Compartment: Power supply comprises of AC-DC / DC-DC, Constant current / Constant Voltage Solid State Electronic Driver with Precise current / Voltage Control, Wide Operating Voltage Range, Short Circuit / Open Circuit, High Voltage / Surge Protection, Thermal Cut Off Protection for extended life time performance.

Optical Component: *AiNL* High Efficiency LED Lens for varied lighting application.



LANDSCAPE FLOOD LIGHTING



Distribution

MOUNTING SUITABILITY

WALL MOUNTED / FLOOR STANDING

INGRESS PROTECTION

IP RATING: IP65

NOTE

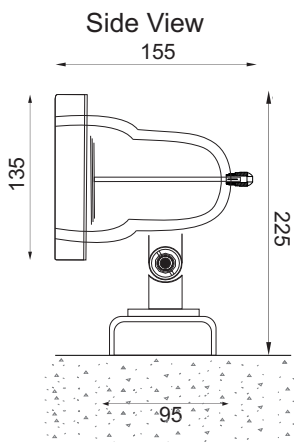
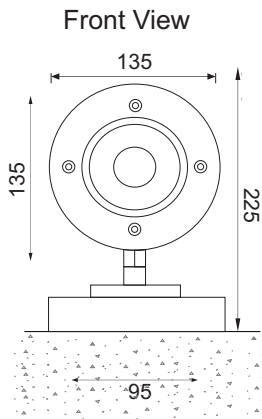
The Luminaire water ingress protected but is not water submersible





NL-6582-ULTRA-NARROW

LANDSCAPE FLOOD LIGHTING



APPLICATIONS



LAMP SUITABILITY



DIMENSIONS

Luminaire

Luminaire Height 225mm	Luminaire Diameter 135mm	Luminaire Depth 155mm
---------------------------	-----------------------------	--------------------------

ORDER CODE

LUMINAIRE CODE	LAMP TYPE	OPTICS	Watts
NL-6582-1201PLED-WW	12 x 1W Warm White	7°,15°,24°,36°	12W
NL-6582-1201PLED-NW	12 x 1W Neutral White	7°,15°,24°,36°	12W
NL-6582-1201PLED-CW	12 x 1W Cool White	7°,15°,24°,36°	12W

DESCRIPTION FIXTURE

SURFACE MOUNTED SPOT LUMINAIRE

Housing: NOVA make Cast Aluminum housing and top cover machined and finished, toughened glass diffuser with silicon gasket and sealant to ensure complete water, insect and dust ingress protection. Non hygroscopic copper wire PVC sheathed cable of adequate length is provided. Cable exit through water proof sealed M16 cable gland. Cast & Machined Aluminum AiNL Stand for heavy duty long life performance. Luminaire Precision Finished by AiNL fabrication technique & PU Based Automotive Paint for Long Life Performance.

Electrical Compartment: Power supply comprises of AC-DC / DC-DC, Constant current / Constant Voltage Solid State Electronic Driver with Precise current / Voltage Control, Wide Operating Voltage Range, Short Circuit / Open Circuit, High Voltage / Surge Protection, Thermal Cut Off Protection for extended life time performance.

Optical Component: AiNL High Efficiency LED Lens for varied lighting application.

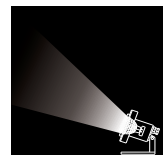


MOUNTING SUITABILITY

WALL MOUNTED / FLOOR STANDING

INGRESS PROTECTION

IP RATING: IP65



Distribution

NOTE

The Luminaire water ingress protected but is not water submersible

xxx



