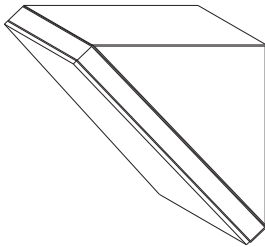
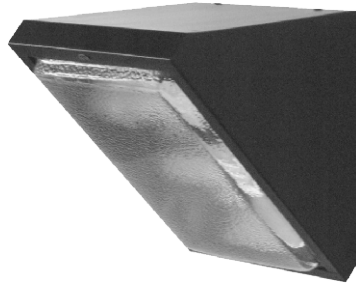




# NL-515-WM

SURFACE / WALL LIGHTING



### APPLICATIONS



### LAMP SUITABILITY



### DIMENSIONS

#### Luminaire

Luminaire Depth 190mm	Luminaire Length 190mm	Luminaire Width 180mm
--------------------------	---------------------------	--------------------------

### ORDER CODE

LUMINAIRE CODE	LAMP TYPE	OPTICS	Watts
NL-515-15W-MLED	15 W Mid Power LED	Wide Sym	15W
NL-515-30W-PLED	30 W Power LED	Wide Sym	30W

### DESCRIPTION FIXTURE

#### Wall Mounted Path Finder

**Housing:** NOVA make Luminaire comprises CRCA / Aluminum fabricated and precision finished housing. Heat Resistant Diffused Clear Acrylic front diffuser for wide beam soft light distribution covered with Silicon gasket and sealant for protection from dust and insects, built in optical control devices, SS allen head screws. Duly fabricated and precision finished. The housing is fine surface finished using *AiNL fabrication technique* and painted with PU based automotive paint for extended lifetime performance. Secondary Galvanized MS Stand for Holding the Optical and Electrical Compartment.

**Electrical Compartment:** Power supply comprises of AC-DC / DC-DC, Constant Current / Constant Voltage Solid State Electronic Driver with precise current / Voltage Control, Wide Operating Voltage Range, Short Circuit / Open Circuit, High Voltage / Surge Protection, Thermal Cut Off Protection for extended life time performance.

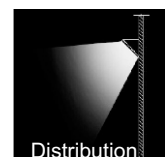
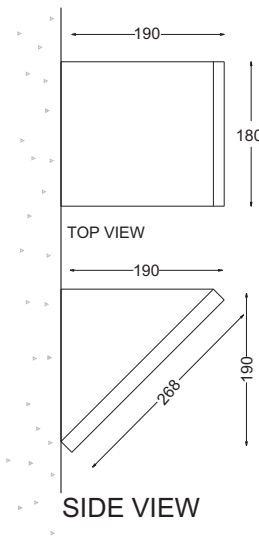
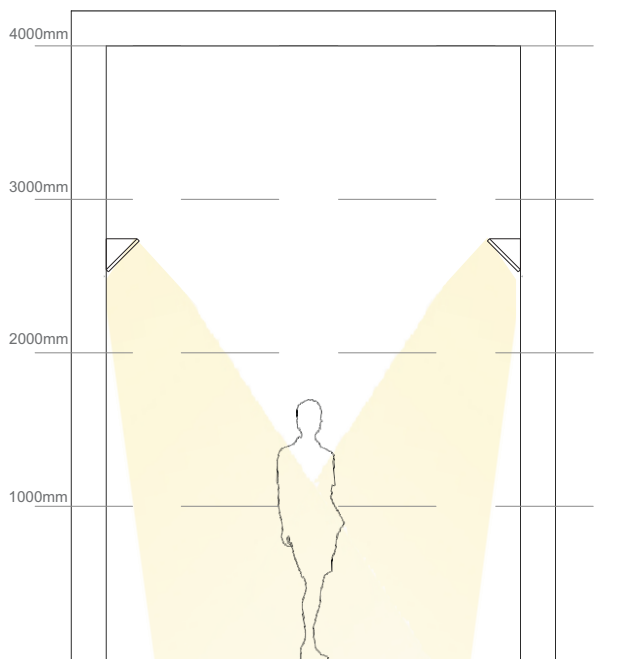
**Optical Compartment:** The Optical Compartment comprises a high efficiency reflector is provided for wide area light distribution.

### MOUNTING SUITABILITY

Mounting on Wall / On Column

### INGRESS PROTECTION

IP Rating: IP56 - IK07



### NOTE

# NL-867-OS



## APPLICATIONS



## LAMP SUITABILITY



## DIMENSIONS

### Luminaire

Luminaire Half Dia. 345mm	Luminaire Height 275mm	Luminaire Depth 275mm
------------------------------	---------------------------	--------------------------

## ORDER CODE

LUMINAIRE CODE	LAMP TYPE	OPTICS	Watts
NL-867-OS-1202PLED	12 X 2 W Power LED	Assym	24W
NL-867-OS-30W-MLED	30W-Mid Power LED	Assym	30W

## DESCRIPTION FIXTURE

### Wall Mounted UP or Down Lighter

**Housing:** NOVA make Luminaire comprises heavy duty cast aluminum housing along with top and bottom cover of cast aluminum for a heavy duty all weather tough body. Heat Resistant toughened glass clear diffuser covered with Silicon gasket and sealant for Protection from dust and insects, built in optical control devices, SS allen head screws. Duly fabricated and precision finished using *AiNL Fabrication technique*. The housing is fine surface finished and painted with PU based automotive paint for extended lifetime performance.

**Electrical Compartment:** Power supply comprises of AC-DC / DC-DC, Constant Current / Constant Voltage Solid State Electronic Driver with precise current / Voltage Control, Wide Operating Voltage Range, Short Circuit / Open Circuit, High Voltage / Surge Protection, Thermal Cut Off Protection for extended life time performance.

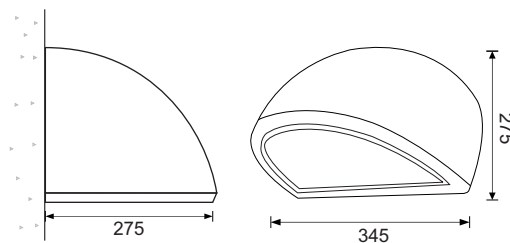
**Optical Compartment:** *AiNL* Asymmetrical Reflectors for CFL Lamps and Metal Halide Lamp. High Efficiency *AiNL* Asymmetrical LED lenses for best lighting application using the variety of lenses of 15° x 60°

## INGRESS PROTECTION

IP RATING: IP55  
IK06



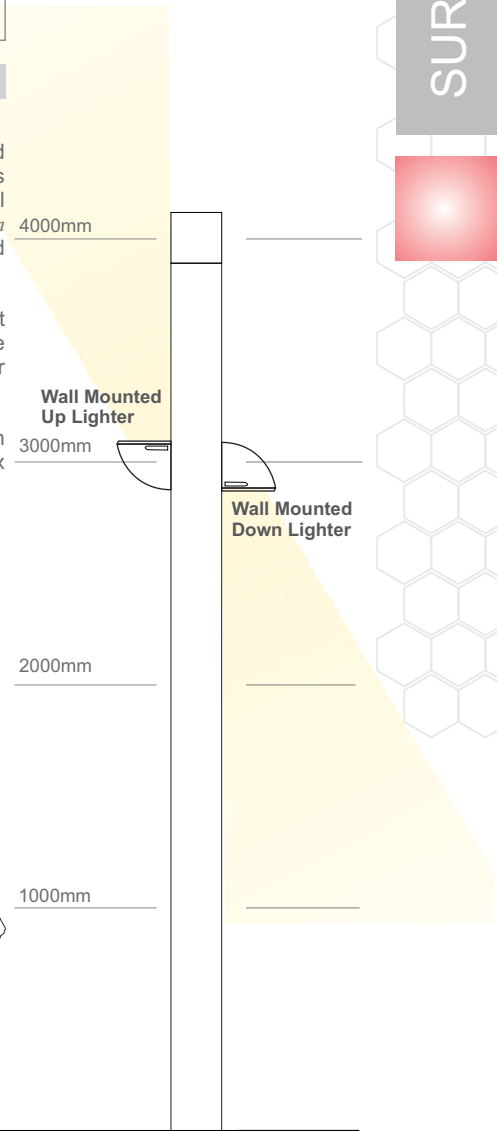
Distribution



Downward Light



Upward Light



SURFACE / WALL LIGHTING





# NL-572-6-W

SURFACE / WALL LIGHTING



## APPLICATIONS



## LAMP SUITABILITY

OSLON  
SQ-  
POWER



## DIMENSIONS

### Luminaire

Projection: 450mm	Width: 305mm	Depth: 150mm
----------------------	-----------------	-----------------

## ORDER CODE

LUMINAIRE CODE	LAMP TYPE	OPTICS
NL-572-6-W-45W-PLED	45W- PLED	TYPE-1-SEMI
NL-572-6-W-30PLED	30W PLED	TYPE-1-PRE

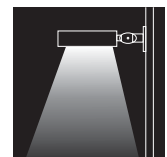
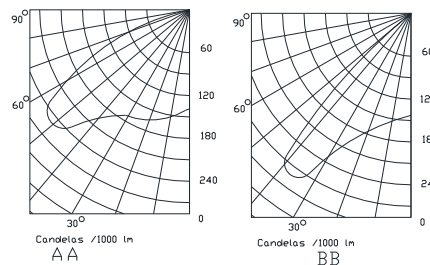
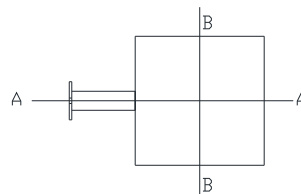
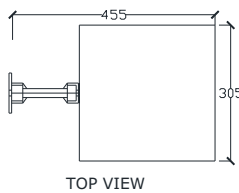
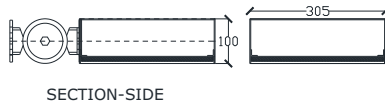
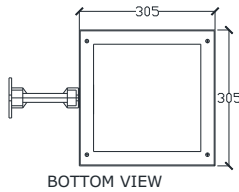
## DESCRIPTION FIXTURE

### 'NOVA'

Luminaire comprises single compartment heavy ALUMINIUM housing, Integral control gear comprising heavy duty Constant current driver (LED) with short circuit / over voltage protection. The Optical parameters comprises a high efficiency profiled reflector / LENS ARRAY for TYPE -1 semi-cutoff distribution, Heat resistant toughened glass diffuser mounted through insect resistant gasket.

## MOUNTING SUITABILITY

MOUNTING ON WALL - WITH CAST ALUMINIUM BASE AND DIECAST ALUMINIUM SWIVEL MECHANISM FOR PRECISE TILT FOR OPTIMUM LIGHTING DISTRIBUTION.



## NOTE

Luminaire is offered SEPARATLY as well as with coordinated decorative column. Please specify your requirement.

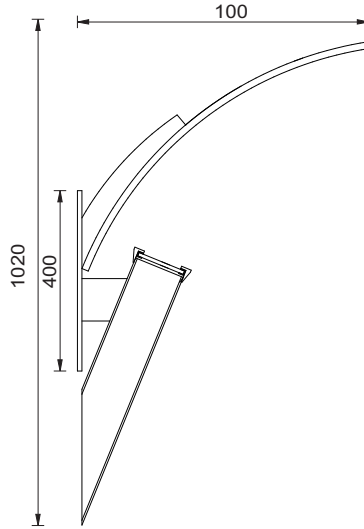
XXX





# NL-573-W

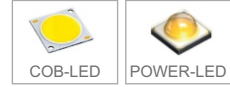
SURFACE / WALL LIGHTING



### APPLICATIONS



### LAMP SUITABILITY



### DIMENSIONS

#### Luminaire

Luminaire Width 720mm	Luminaire Length 1020mm	Maximum Mounting Height = 3.5-4 Mts
--------------------------	----------------------------	-------------------------------------

### ORDER CODE

LUMINAIRE CODE	LAMP TYPE	OPTICS	Watts
NL-573-W-1202PLED	12X2 W Power LED	Indirect	24W
NL-573-W-30COB	1X30 W COB LED	Indirect	30W

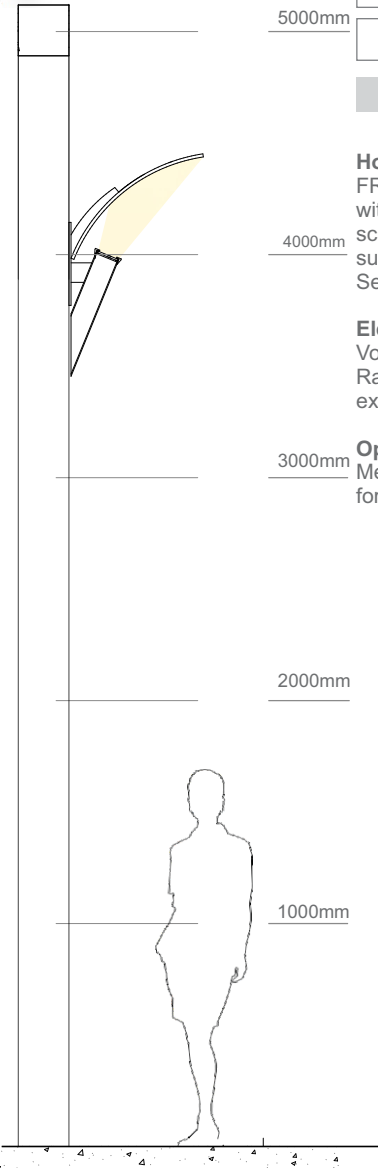
### DESCRIPTION FIXTURE

#### Wall Mounted Luminaire

**Housing:** NOVA make Luminaire comprises of 10swg MS Pipe body with precision cut arms and AiNL FRP top wing for a heavy duty all weather tough body. Heat resistant clear toughened glass covered with silicon sealant for Protection from dust and insects, built in optical control devices, SS allen head screws. Duly fabricated and precision finished using AiNL Fabrication technique. The housing is fine surface finished and painted with PU based automotive paint for extended lifetime performance. Secondary Galvanized MS Stand for Holding the Optical and Electrical Compartment.

**Electrical Compartment:** Power supply comprises of AC-DC / DC-DC, Constant Current / Constant Voltage Solid State Electronic Driver with precise current / Voltage Control, Wide Operating Voltage Range, Short Circuit / Open Circuit, High Voltage / Surge Protection, Thermal Cut Off Protection for extended life time performance.

**Optical Compartment:** Anodized spun aluminum primary narrow beam AiNL Internal Reflector for Metal Halide Lamps & COB/ High Optical Efficiency AiNL Lens for Power LED & a secondary FRP Wing for Indirect area illumination.



### PROTECTION

IP Rating: IP56  
IK Rating: IK09



XXX

# NL-JI-1640-PLED



## APPLICATIONS



## LAMP SUITABILITY



## DIMENSIONS

### Luminaire

Luminaire Width 90mm	Luminaire Depth 80mm	Luminaire Length 1010mm
-------------------------	-------------------------	----------------------------

## PROTECTION

IP RATING: IP56  
IK RATING: IK08



## ORDER CODE

LUMINAIRE CODE	LAMP TYPE	OPTICS	Watts
NL-JI-1640-L-3001-PLED-WW	30 Nos 1W LED-WW	7°,15°,24°,36°,45°	30W
NL-JI-1640-L-3001-PLED-CW	30 Nos 1W LED-CW	7°,15°,24°,36°,45°	30W
NL-JI-1640-L-3001PLED-Elliptical-WW	30 Nos 1W LED-WW	30°x60°	30W
NL-JI-1640-L-3001PLED-Elliptical-CW	30 Nos 1W LED-WW	30°x60°	30W
NL-JI-1640-L-3001-PLED-R	30 Nos 1W LED-RED	7°,15°,24°,36°,45°	30W
NL-JI-1640-L-3001-PLED-G	30 Nos 1W LED-GREEN	7°,15°,24°,36°,45°	30W
NL-JI-1640-L-1501-PLED-B	30 Nos 1W LED-BLUE	7°,15°,24°,36°,45°	30W
NL-JI-1640-L-1501-PLED-RGB	10 x 3 x 1W LED-RGB	7°,15°,24°,36°,45°	30W

## MOUNTING SUITABILITY

FLOOR WASHER, WALL WASHER, GRASS SLOPE WASHER - MOUNDS

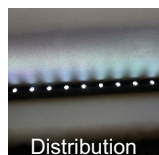
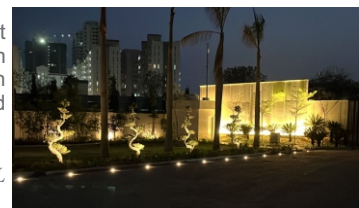
## DESCRIPTION FIXTURE

### Wall Mounted Luminaire: 4Feet

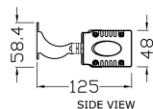
**Housing:** NOVA Cast aluminum housing and top cover for a heavy duty all weather tough body. Heat Resistant toughened glass clear diffuser covered with silicon gasket and sealant for protection from dust and insects, built in optical control devices, SS allen head screws. Duly fabricated and precision finished using *AiNL Fabrication technique*. The housing is fine surface finished and painted with PU based automotive paint for extended lifetime performance.

**Electrical Component:** Luminaire available in LED Lamps for varied application connected with a *AiNL* Constant Current LED Driver for optimal lighting performance. (Refer to Code References for Luminaire Selection of Warm White, Cool White, Red Green Blue LED's).

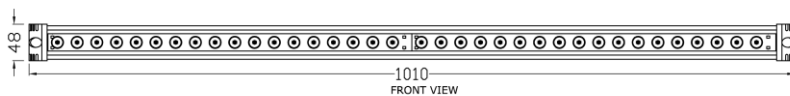
**Optical Compartment:** High Efficiency *AiNL* Lenses for LED Lamps to provide Beam Distribution as mentioned



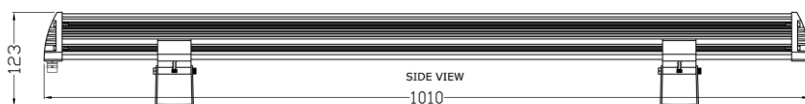
Distribution



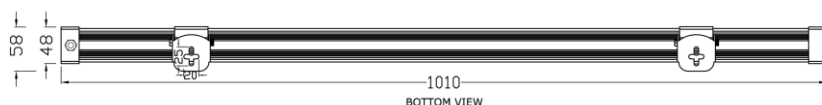
SIDE VIEW



FRONT VIEW



SIDE VIEW



BOTTOM VIEW

## NOTE

Luminaire is offered with Various LED combinations- Please specify. Luminaire is offered with RGB LED with integral DMX decoder- Please specify.

SURFACE / WALL LIGHTING





# NL-883

SURFACE / WALL LIGHTING



NL-883A-1-1201PLED



NL-883B-1-701PLED



NL-883C-1-301PLED

### APPLICATIONS



### LAMP SUITABILITY



### DIMENSIONS

#### Luminaire

Max. Ht. 250mm	Max. Dia. 145mm	Max. Projection. 225mm
----------------	-----------------	------------------------



### ORDER CODE

#### Wall Mounted UP Lighter

**Housing:** NOVA make Luminaire comprises aluminum housing pipe and top, bottom cover of cast aluminium for a heavy duty all weather tough body. Heat Resistant toughened glass clear diffuser covered with Silicon gasket and sealant for Protection from dust and insects, built in optical control devices, SS allen head screws. Duly fabricated and precision finished using *AiNL Fabrication technique*. The housing is fine surface finished and painted with PU based automotive paint for extended lifetime performance.

**Electrical Compartment:** Power supply comprises of AC-DC / DC-DC, Constant Current / Constant Voltage Solid State Electronic Driver with precise current / Voltage Control, Wide Operating Voltage Range, Short Circuit / Open Circuit, High Voltage / Surge Protection, Thermal Cut Off Protection for extended life time performance.

**Optical Compartment:** *AiNL* Symmetrical Reflectors for Metal Halide Lamp in Narrow, Medium and Wide Beam Distribution. CDM-PAR Lamp with Inbuilt Beam Optics. LED lamp with high efficiency LED *AiNL* Lenses.

### LAMP TYPES

CDM-PAR 70W MH. Lamps.E27 Base. HIT-CRI  
 CDMT 70 MH Lamp with separate reflector-G12 Base.  
 35W MH. Lamp-G12 Base

### LUMENS

5700 LUMENS  
 5700 LUMENS  
 2980 LUMENS

### TEMP K

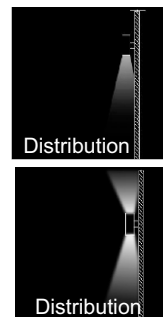
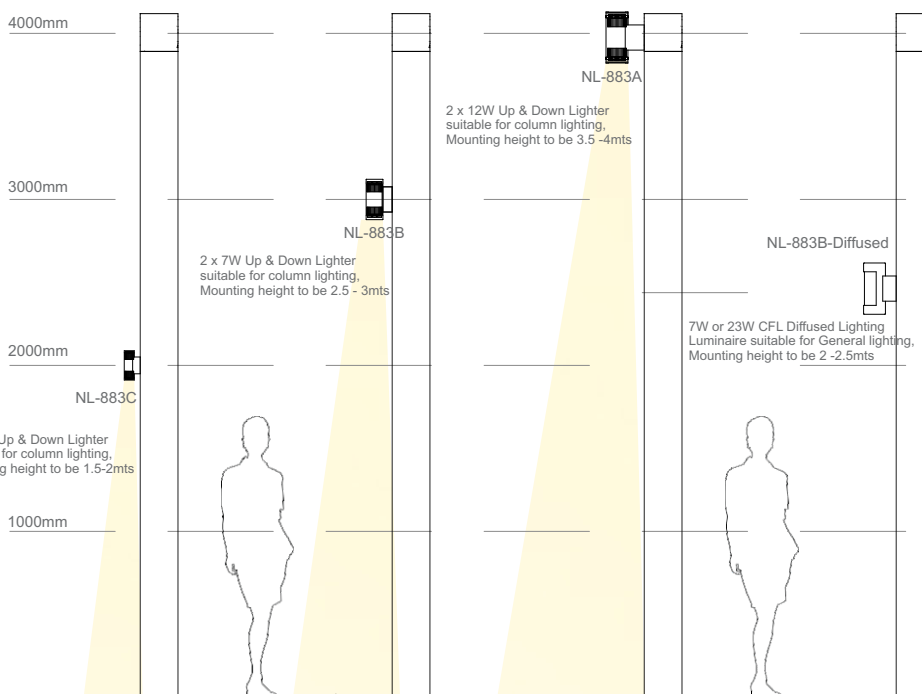
3000  
 3000  
 3000/4000/6000

### Beam Angle

Na = Narrow Beam Distribution  
 Me = Medium Beam Distribution  
 Wide = Wide Beam Distribution  
 LED Lens: 15°, 24°, 36°, 45°

### INGRESS PROTECTION

IP Rating: IP65



XXX

# NL-883



## APPLICATIONS



## LAMP SUITABILITY



## DIMENSIONS

### NL-883-701-PLED

Max. Ht. 275mm	Max. Dia. 100mm	Max. Projection. 155mm
----------------	-----------------	------------------------

### NL-883-2x701-PLED

Max. Ht. 345mm	Max. Dia. 100mm	Max. Projection. 155mm
----------------	-----------------	------------------------

NL-883C-1-301PLED

NL-883B-1-701PLED

NL-883A-1-1201PLED

## MOUNTING SUITABILITY

WALL MOUNTED UP/DOWN

## LUMINAIRE ORDERING

### 12W UP or DOWN LIGHTING LUMINAIRE

NL-883A LARGE UP LIGHTER	LUMINAIRE CODE	LAMP TYPE	OPTICS	Watts
	NL-883W-A-1-1201PLED	1 x 12 x 1W Power LED	7°,24°,36°,45°	12W

### 12W UP & DOWN LIGHTING LUMINAIRE

NL-883A LARGE UP LIGHTER	LUMINAIRE CODE	LAMP TYPE	OPTICS	Watts
	NL-883W-A-2-1201PLED	2 x 12 x 1W Power LED	7°,24°,36°,45°	24W

### 7W UP or DOWN LIGHTING LUMINAIRE

NL-883B MEDIUM UP LIGHTER	LUMINAIRE CODE	LAMP TYPE	OPTICS	Watts
	NL-883W-B-1-701PLED-WW	7x1W PLED Warm White	7°,24°,36°,45°	7W
	NL-883W-B-1-701PLED-NW	7x1W PLED Neutral White	7°,24°,36°,45°	7W
	NL-883W-B-1-701PLED-CW	7x1W PLED Cool White	7°,24°,36°,45°	7W

### 7W UP & DOWN LIGHTING LUMINAIRE

NL-883B MEDIUM UP DOWN LIGHTER	LUMINAIRE CODE	LAMP TYPE	OPTICS	Watts
	NL-883W-B-2-701PLED-WW	14x1W PLED Warm White	7°,24°,36°,45°	14W
	NL-883W-B-2-701PLED-NW	14x1W PLED Neutral White	7°,24°,36°,45°	14W
	NL-883W-B-2-701PLED-CW	14x1W PLED Cool White	7°,24°,36°,45°	14W

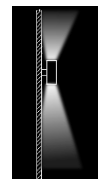
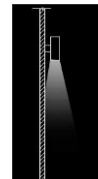
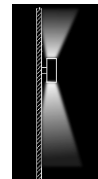
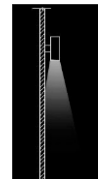
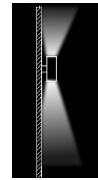
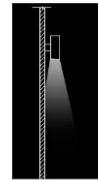
### 3W UP or DOWN LIGHTING LUMINAIRE

NL-883C SMALL UP LIGHTER	LUMINAIRE CODE	LAMP TYPE	OPTICS	Watts
	NL-883W-C-1-301PLED-WW	3x1W PLED Warm White	7°,24°,36°,45°	3W
	NL-883W-C-1-301PLED-NW	3x1W PLED Neutral White	7°,24°,36°,45°	3W
	NL-883W-C-1-301PLED-CW	3x1W PLED Cool White	7°,24°,36°,45°	3W

### 3W UP & DOWN LIGHTING LUMINAIRE

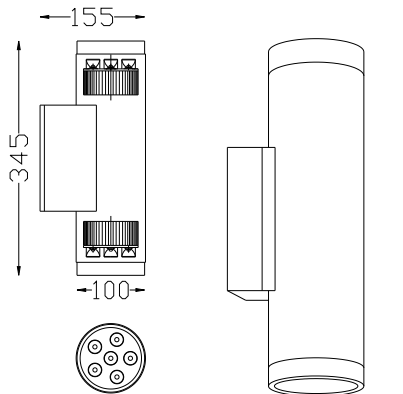
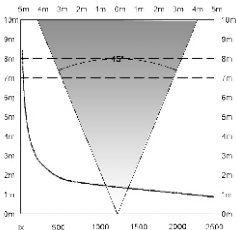
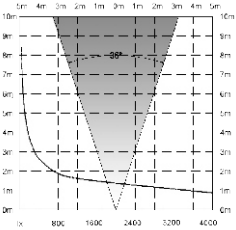
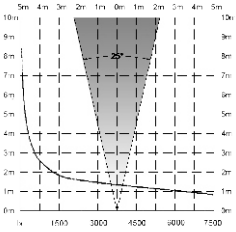
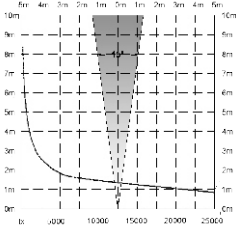
NL-883C SMALL UP DOWN LIGHTER	LUMINAIRE CODE	LAMP TYPE	OPTICS	Watts
	NL-883W-C-2-301PLED-WW	2x 3x1W PLED Warm White	7°,24°,36°,45°	6W
	NL-883W-C-2-301PLED-NW	2 x 3x1W PLED Neutral White	7°,24°,36°,45°	6W
	NL-883W-C-2-301PLED-CW	2 x3x1W LED Cool White	7°,24°,36°,45°	6W

SURFACE / WALL LIGHTING

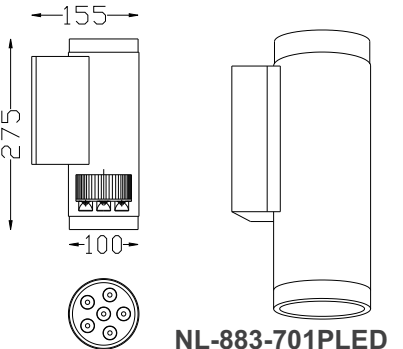




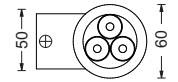
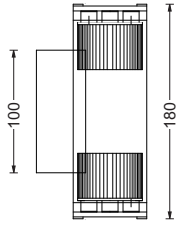
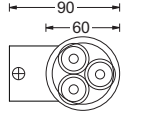
SURFACE / WALL LIGHTING



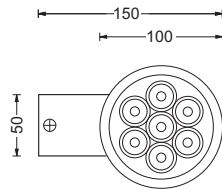
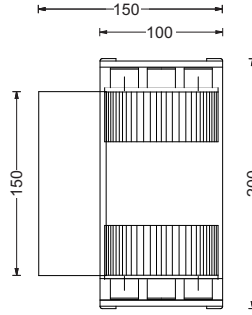
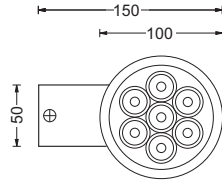
**NL-883-2X701PLED**



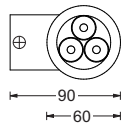
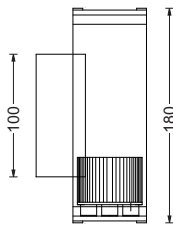
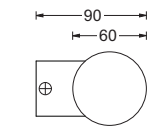
**NL-883-701PLED**



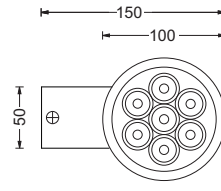
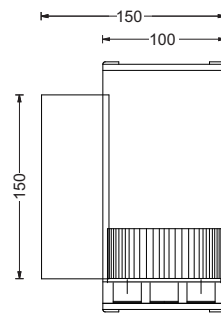
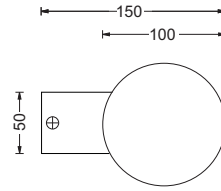
**NL-883W-C-1-301PLED**



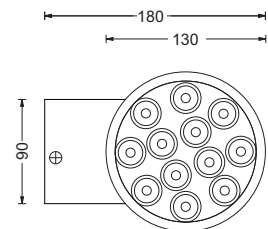
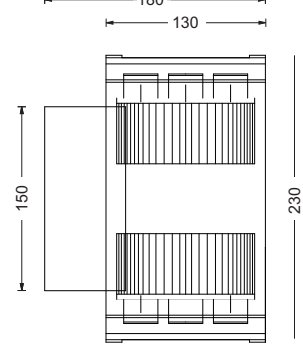
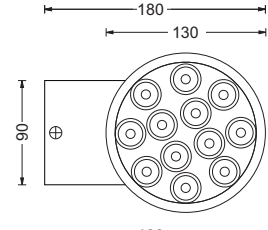
**NL-883W-B-1-701PLED**



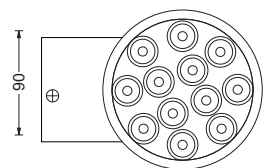
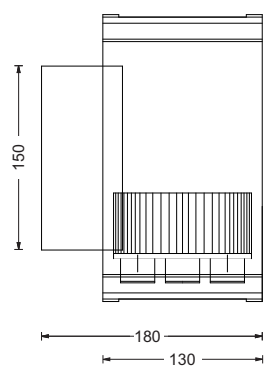
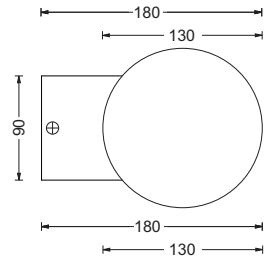
**NL-883W-C-2-301PLED**



**NL-883W-B-2-701PLED**



**NL-883W-A-1-1201PLED**



**NL-883W-A-2-1201PLED**

# NL-883-C-5



## APPLICATIONS



## LAMP SUITABILITY



## DIMENSIONS

NL-883C-A-1201PLED		NL-883C-B-701PLED		NL-883C-C-301PLED	
Luminaire Diameter	Luminaire Length	Luminaire Diameter	Luminaire Length	Luminaire Diameter	Luminaire Length
125mm	90mm	105mm	90mm	60mm	90mm

## LUMINAIRE DESCRIPTION

### Surface Mounted Down Light

**Housing:** NOVA Luminaire comprises of aluminum housing pipe and top, bottom cover of cast aluminum for a heavy duty all weather tough body. Heat Resistant toughened glass clear diffuser covered with Silicon gasket and sealant for Protection from dust and insects, built in AiNL optical control devices, SS allen head screws. Duly fabricated and precision finished using AiNL Fabrication Technique. The housing is fine surface finished and painted with PU based automotive paint for extended lifetime performance.

**Electrical Compartment:** Power supply comprises of AC-DC / DC-DC, Constant Current / Constant Voltage Solid State Electronic Driver with precise current / Voltage Control, Wide Operating Voltage Range, Short Circuit / Open Circuit, High Voltage / Surge Protection, Thermal Cut Off Protection for extended life time performance.

**Optical Compartment:** AiNL Symmetrical Reflectors for Metal Halide Lamp in Narrow, Medium and Wide Beam Distribution.. Built in LED Lenses for AiNL LED Module fixture



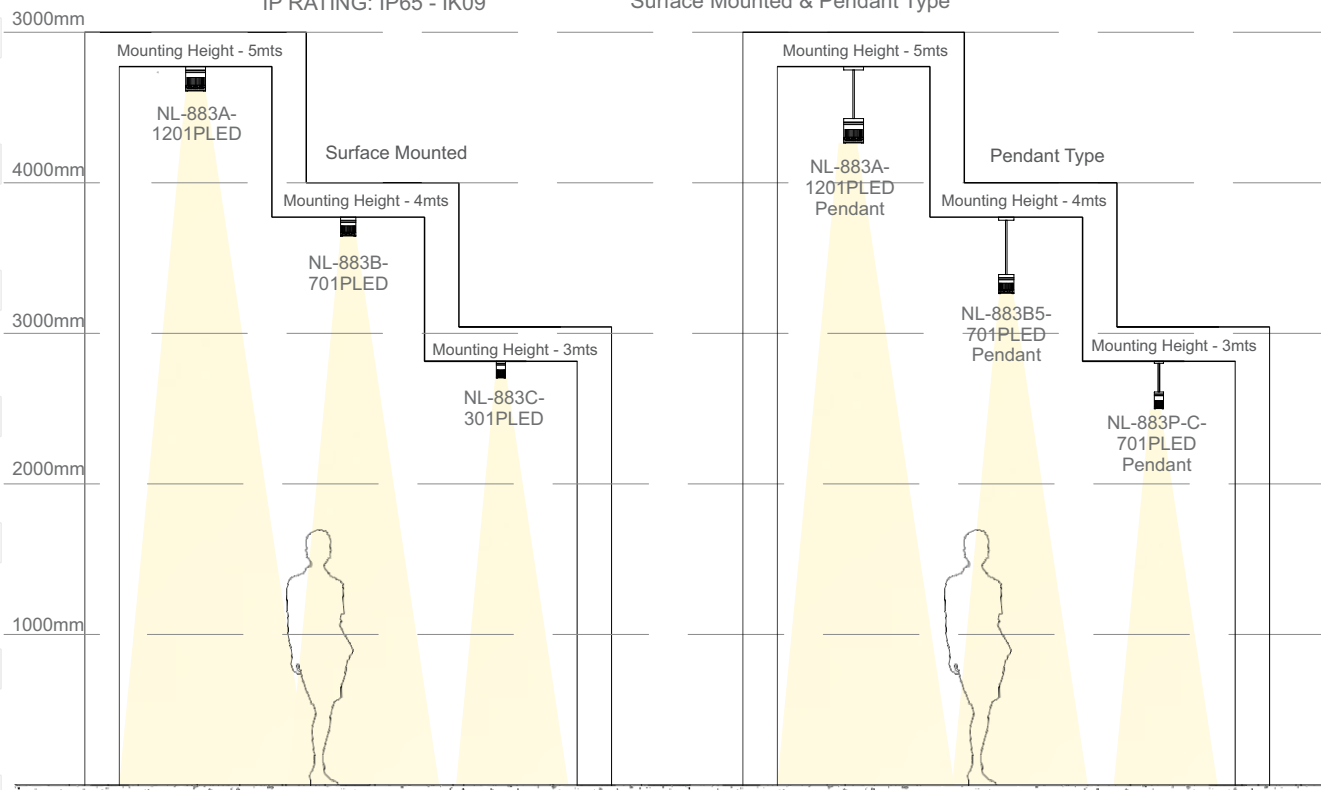
SURFACE / WALL LIGHTING

## INGRESS PROTECTION

IP RATING: IP65 - IK09

## MOUNTING SUITABILITY

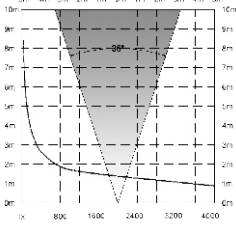
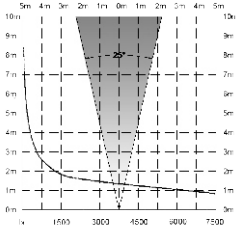
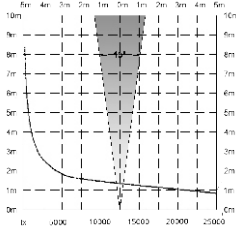
Surface Mounted & Pendant Type





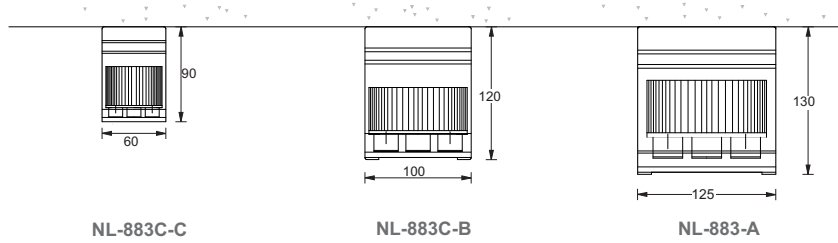
# NL-883-C-5

SURFACE / WALL LIGHTING



LUMINAIRE ORDER CODE			
LUMINAIRE CODE	LAMP TYPE	OPTICS	Watts
<b>NL-883A Large Housing</b>			
<b>NL-883-A-1201PLED</b>	<b>12 X 1W Power LED</b>	<b>15°,24°,36°,45°</b>	<b>12W</b>
<b>NL-883B Medium Housing</b>			
<b>NL-883-B-701PLED</b>	<b>7 X 1W Power LED</b>	<b>15°,24°,36°,45°</b>	<b>7W</b>
<b>NL-883C Small Housing</b>			
<b>NL-883-C-301PLED</b>	<b>3 X 1W Power LED</b>	<b>15°,24°,36°,45°</b>	<b>3W</b>

3000K  
4000K  
6500K



XXX

# NL-883-6-3030-COB-150

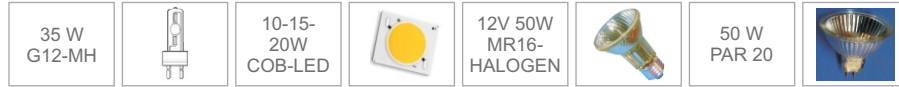
# NL-883-6-2020-COB-100



## APPLICATIONS



## LAMP SUITABILITY



## DIMENSIONS

### NL-883-6-3030-150

Max. Ht. 500mm	Max. Dia. 150mm	Max. Projection 180mm
----------------	-----------------	-----------------------

### NL-883-6-2020-100

Max. Ht. 500mm	Max. Dia. 100mm	Max. Projection 160mm
----------------	-----------------	-----------------------

## ORDER CODE

LUMINAIRE CODE	LAMP TYPE	OPTICS
NL-883-6-2020-100	10-15-20W-COB	15Deg-UP - 30Deg-DOWN
NL-883-6-3030-150	15-20-30W-COB	15Deg-UP - 30Deg-DOWN

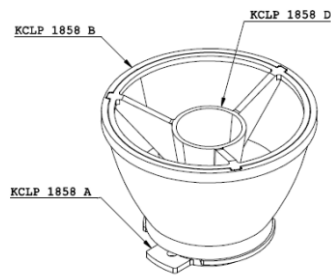
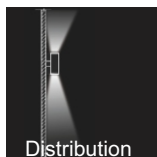
## DESCRIPTION FIXTURE

### 'NOVA'

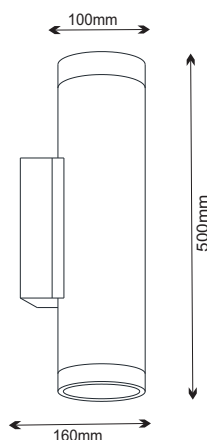
Luminaire Comprises Aluminium fabricated and precision finished housing  
 Surface finished and painted with PU based automotive paint for extended lifetime performance.  
 Integral control gear comprising heavy duty Constant current Driver, all duly wired.  
 Heat resistant toughened glass diffuser, silicone gaskets, SS hardware.  
 The Optical Compartment comprises a high efficiency reflector is provided for narrow beam distribution in UP direction and wide beam in DOWN direction.  
 Other beam option are offered on request  
 Luminaire is IP65 protected

## MOUNTING SUITABILITY

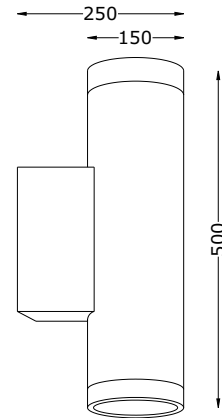
WALL - COLUMN MOUNTING



NARROW BEAM-MEDIUM BEAM OPTION



NL-883-6-2020-100



NL-883-6-3030-150

## NOTE

Indirect Luminaire - Reduced Upward Light Pollution



# NL-8604-W

SURFACE / WALL LIGHTING



NL-8604-3



NL-8604-1



NL-8604-2

### APPLICATIONS



### LAMP SUITABILITY



### DIMENSIONS

NL-8604-1			NL-8604-2		NL-8604-3		
Height	Width	Depth	Max. Ht.	Max. W.	Height	Width	Depth
200mm	225mm	100mm	100mm	450mm	300mm	450mm	250mm

### ORDER CODE

LUMINAIRE CODE	LAMP TYPE	OPTICS	Watts
NL-8604-1-1801PLED	18W-POWER LED	Asymm	18 W
NL-8604-1-20W-COB	20W-COB LED	Asymm	20 W
NL-8604-2-20MLED	20W-MLED	Asymm	20 W
NL-8604-3-1803PLED	36W-POWER LED	Asymm	36 W
NL-8604-3-30COB	30W-COB LED	Asymm	30 W

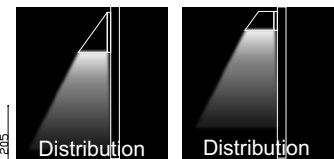
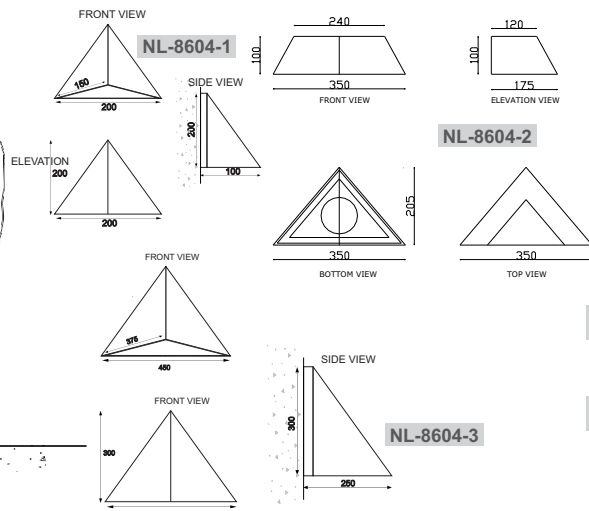
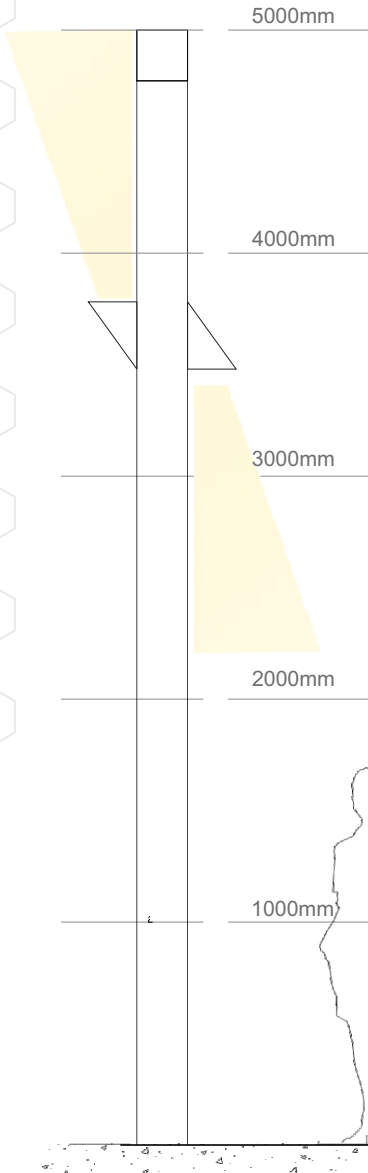
### DESCRIPTION FIXTURE

#### Wall Mounted WALL WASHER Luminaire

**Housing:** NOVA make Luminaire comprises sheet aluminum housing with cast aluminum back plate and housing cover for a heavy duty all weather tough body. Heat Resistant toughened glass clear diffuser covered with EPDM gasket and silicon sealant for protection from dust water & insects, built in optical control devices, SS allen head screws. Duly fabricated using *AiNL Fabrication Technique* and precision finished. The housing is fine *AiNL* surface finished and painted with PU based automotive paint for extended lifetime performance.

**Electrical Compartment:** Power supply comprises of AC-DC / DC-DC, Constant Current / Constant Voltage Solid State Electronic Driver with precise current / Voltage Control, Wide Operating Voltage Range, Short Circuit / Open Circuit, High Voltage / Surge Protection, Thermal Cut Off Protection for extended life time performance.

**Optical Compartment:** *AiNL* Asymmetrical anodized reflector for Asymmetrical light distribution. Type 2 Asymmetrical lens for PLED.



### MOUNTING SUITABILITY

WALL MOUNTED

### INGRESS PROTECTION

IP RATING: IP54 - IP65  
IK-09

XXX

# NL-512-WM



## APPLICATIONS



## LAMP SUITABILITY



## DIMENSIONS

### Luminaire

Luminaire Height 600mm	Luminaire Top Diameter 600mm	Luminaire Arm 750mm
---------------------------	---------------------------------	------------------------

## ORDER CODE

LUMINAIRE CODE	LAMP TYPE	OPTICS	Watts
NL-512-WM-35MH	35W Metal Halide Lamp	Indirect	35W
NL-512-WM-70MH	70W Metal Halide Lamp	Indirect	70W
NL-512-WM-150MH	150W Metal Halide Lamp	Indirect	150W
NL-512-WM-1201PLED	12Nos Power LED	Indirect	24W
NL-512-WM-30COB	1Nos. X 30W COB LED	Indirect	30W
<b>Suggested Mounting Height</b>	<b>3000mm - 4500mm above Finished Floor Level</b>		

## DESCRIPTION FIXTURE

### Wall Mounted Luminaire

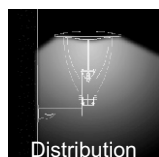
**Housing:** NOVA make Luminaire comprises heavy MS housing, duly fabricated using *AiNL Fabrication Technique* and precision finished. Top Canopy made off Spun Aluminum / FRP for long life. Indirect *AiNL* reflector provides wide area lighting distribution. Heat resistant toughened glass diffuser mounted through insect resistant gasket & silicon sealant. The housing is fine *AiNL* surface finished and painted with PU based automotive paint for extended lifetime performance.

**Electrical Component:** Luminaire available in MH & LED Lamps for varied application connected with a High Efficiency *AiNL* Ballast, Ignitor, Capacitor for Metal halide / IBU / Electronic Control gear & constant current *AiNL* LED driver. (Refer to Code References for Luminaire Selection).

**Optical Compartment:** Narrow Beam primary *AiNL* anodized aluminum reflector and secondary *AiNL* FRP reflector for diffused area lighting.

## DESCRIPTION MOUNTING ARM

NOVA make Decorative Mounting Arm along with this fixture. Mounting Arm of MS Pipe body welded using *AiNL Fabrication Technique* to the mounting plate with *AiNL* ornamental rib support for additional stability. Arm primed and then PU Painted with long life automotive PU paint for long lasting life performance.



## MOUNTING SUITABILITY

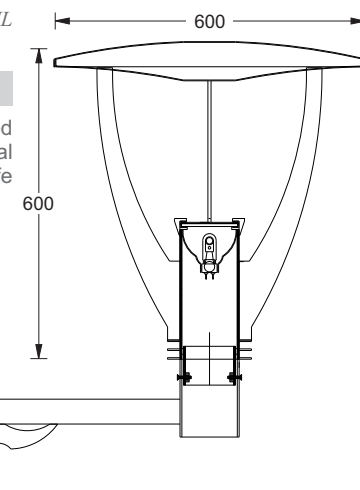
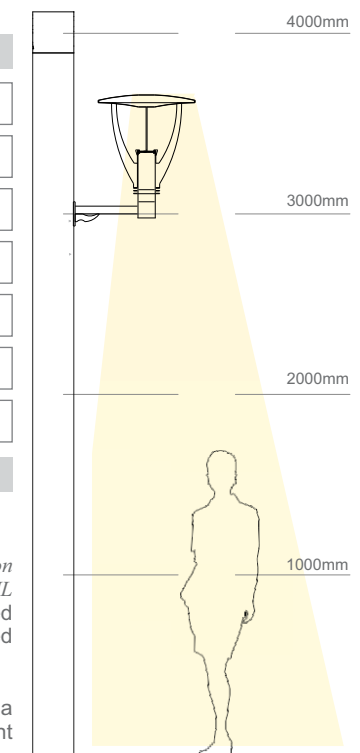
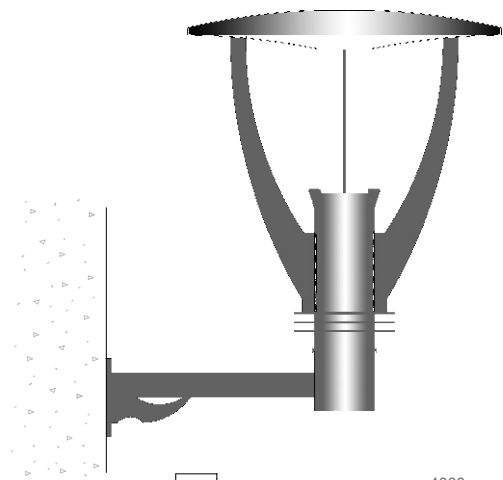
Wall Mounted on Anchor Bolts

## INGRESS PROTECTION

IP Rating: IP56

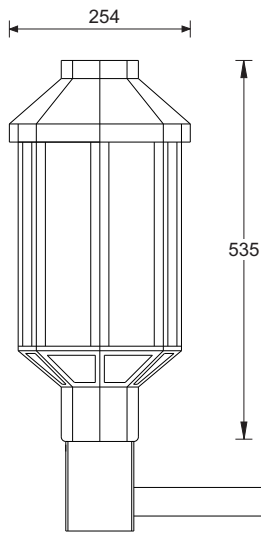
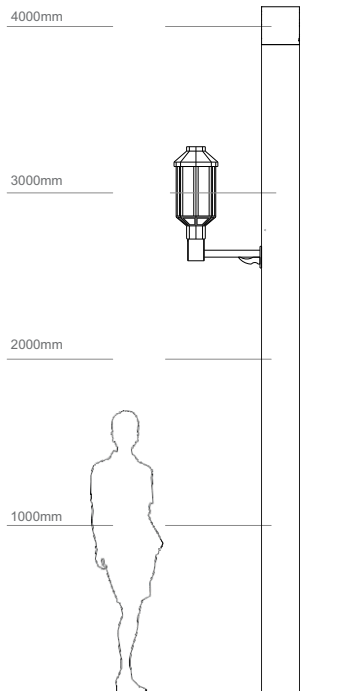
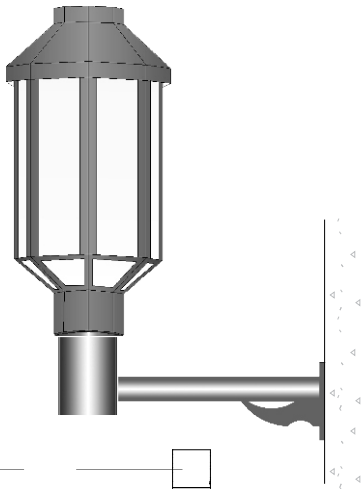
## NOTE

- Luminaire is offered SEPARATELY as well as with coordinated decorative arm. Please specify your requirement.
- Pole height for 70W/150W metal Halide is 3000-4500mm & for 12W LED & 30W COB is 2000mm



SURFACE / WALL LIGHTING





### APPLICATIONS



### LAMP SUITABILITY

POWER LED



30W COB LED



### DIMENSIONS

#### Luminaire

Suggested Mounting Height 2500mm - 3500mm	Luminaire Height 535mm	Luminaire Width 254mm
--	---------------------------	--------------------------

### ORDER CODE

LUMINAIRE CODE	LAMP TYPE	OPTICS	Watts
NL-514-35MH	35W Metal Halide Lamp	Wide Sym	35W
NL-514-70MH	70W Metal Halide Lamp	Wide Sym	70W
NL-514-150MH	150W Metal Halide Lamp	Wide Sym	150W
NL-514-70SV	70W HPSV-E27	Wide Sym	70W
NL-514-1P35	35W Self Ballasted CFL	Wide Sym	35W
NL-514-1P46	46W Self Ballasted CFL	Wide Sym	46W
NL-514-2101PLED	12Nos. Power LED	Indirect	24W
NL-514-30COB	1Nos. X 30W COB LED	Indirect	30W

### DESCRIPTION FIXTURE

#### Wall Mounted Luminaire

**Housing:** NOVA make Heavy duty Cast Aluminum OCTAGONAL housing casted using *AiNL Fabrication Technique* with symmetrical fascias provide for aesthetic period ambiance. Eight frosted glass pane diffusers. CSK SS Allen screws fixing Luminaire Head to body. Heat resistant toughened glass diffuser mounted through insect resistant gasket & silicon sealant. The housing is fine *AiNL* surface finished and painted with PU based automotive paint for extended lifetime performance

**Electrical Component:** Luminaire available in MH & LED Lamps for varied application connected with a High Efficiency *AiNL* Ballast, Ignitor, Capacitor for Metal halide / IBU / Electronic Control gear & constant current *AiNL* LED driver. (Refer to Code References for Luminaire Selection).

**Optical Compartment:** Diffused *AiNL* Frosted Glass Panels for Diffused Lighting

### DESCRIPTION MOUNTING ARM

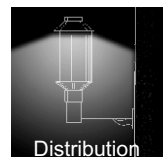
NOVA make Decorative Mounting Arm along with this fixture. Mounting Arm of MS Pipe body welded to the mounting plate with *AiNL* ornamental rib support for additional stability. Arm primed and then PU Painted with long life automotive PU paint for long lasting life performance.

### MOUNTING SUITABILITY

Wall Mounted on Anchor Bolts

### INGRESS PROTECTION

IP Rating: IP56



### NOTE

Luminaire is offered SEPARATLY as well as with coordinated decorative column. Please specify your requirement.

# NL-596-WM



## APPLICATIONS



## LAMP SUITABILITY



## DIMENSIONS

### Luminaire

Luminaire Height 600mm	Luminaire Diameter 550mm	Suggested Mounting Height 2500mm - 3500mm
---------------------------	-----------------------------	--

## ORDER CODE

LUMINAIRE CODE	LAMP TYPE	OPTICS	Watts
NL-596-WM-35MH	35W Metal Halide Lamp	Direct Sym	35W
NL-596-WM-70MH	70W Metal Halide Lamp	Direct Sym	70W
NL-596-WM-150MH	150W Metal Halide Lamp	Direct Sym	150W
NL-596-WM-70HPSV	70W HP Sodium Vapour	Direct Sym	70W
NL-596-WM-1P36	36W CFL Lamp	Direct Sym	36W
NL-596-WM-1P45	45W CFL Lamp	Direct Sym	45W
NL-596-WM-1P65	65W CFL Lamp	Direct Sym	65W
NL-596-WM-2101PLED	21Nos. X 1W Power LED	Direct Sym	21W
NL-596-WM-1030COB	30W COB Power LED	Direct Sym	30W

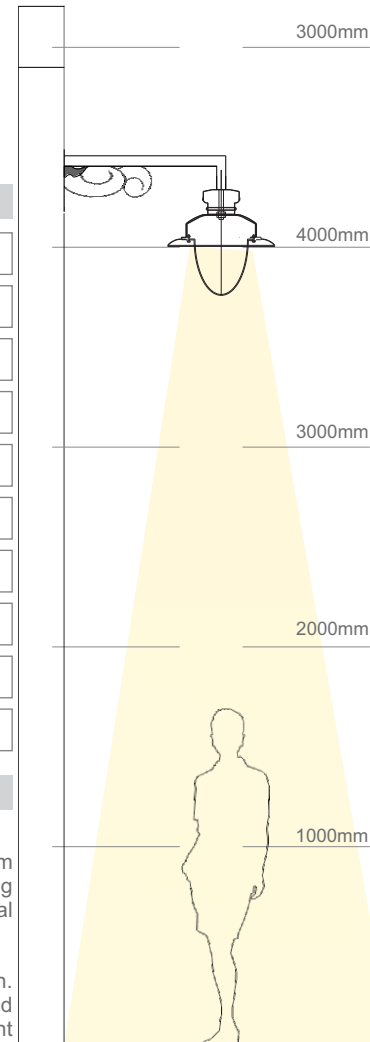
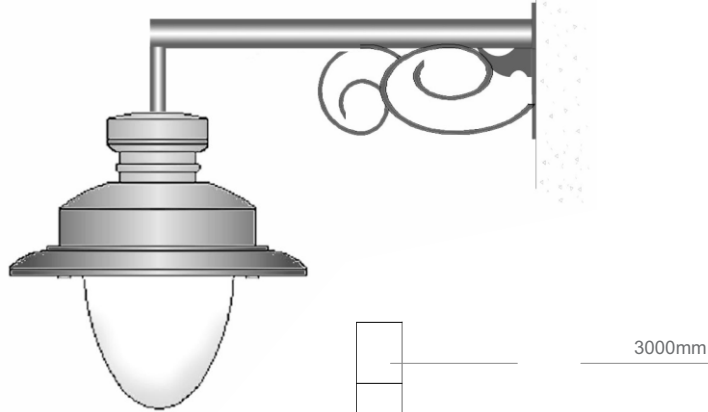
## DESCRIPTION FIXTURE

### WALL MOUNTED COLONIAL FIXTURE

**HOUSING:** NOVA make Luminaire comprises multiple compartment heavy duty cast & spun aluminum housing, with top clear acrylic dome below for optimal lighting output. Luminaire sealed with acrylic using EPDM Gasket and silicon sealant for ingress protection from Dust, Insects and Water. MS External Arms with decorative arm fabricated using the *AiNL fabrication technique* for aesthetic appeal.

**ELECTRICAL:** Luminaire Suitable for Metal Halide, CFL, LED Lamps for optimal lighting solution. Integral control gear comprising heavy duty *AiNL* Ballast, Electronic solid state Ignitor, PF Capacitor and lamp holder all duly wired for Metal Halide Lamps, CFL Lamp driven by integral ballast. Constant Current *AiNL* LED driver for LED systems for green energy efficient lighting.

**OPTICAL:** The Optical Compartment comprises a high efficiency *AiNL* spun and shining aluminum reflector for diffused area lighting, a *AiNL* bell glass diffuser, mounted through insect resistant gasket.



SURFACE / WALL LIGHTING



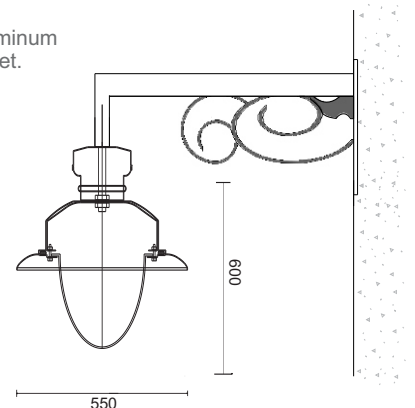
Distribution

## MOUNTING SUITABILITY

FLOOR MOUNTED ON LIGHT PCC PEDESTAL

## INGRESS PROTECTION

IP Rating: IP56







# NL-554-WM

SURFACE / WALL LIGHTING



### APPLICATIONS



### LAMP SUITABILITY



### DIMENSIONS

#### Luminaire

Luminaire Height 653mm	Luminaire Length 290mm	Luminaire Width 290mm
---------------------------	---------------------------	--------------------------

### ORDER CODE

LUMINAIRE CODE	LAMP TYPE	OPTICS	Watts
NL-554-WM-30W-COB	35W COB LED	Diffused	30W
NL-554-WM-30W-PLED	30W Power LED	Diffused	30W
NL-554-WM-30W-MLED	30W Mid Power LED	Diffused	30W

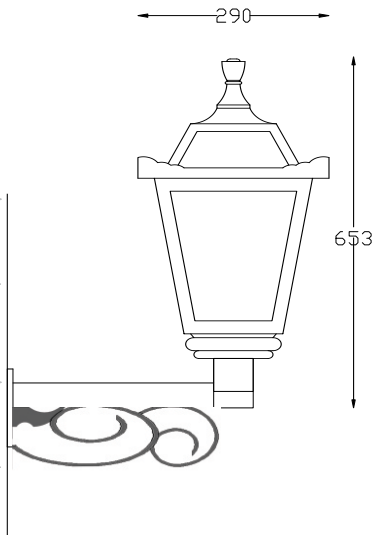
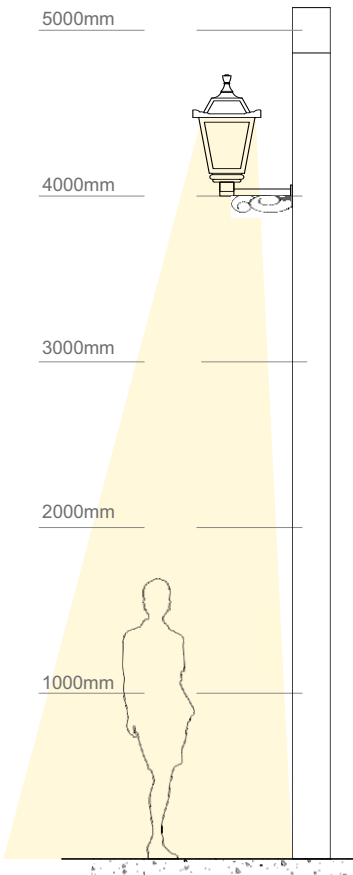
### DESCRIPTION FIXTURE

#### Wall Mounted Luminaire

**Housing:** NOVA make Luminaire comprises cast aluminum housing, top support arm for a heavy duty all weather tough body. Heat Resistant *AiNL* toughened glass clear diffuser covered with silicon sealant for protection from dust water & insects, built in *AiNL* optical control devices, SS allen head screws. Duly fabricated and precision finished using *AiNL Fabrication technique*. The housing is fine surface finished and painted with PU based automotive paint for extended lifetime performance.

**Electrical Compartment:** Power supply comprises of AC-DC / DC-DC, Constant Current / Constant Voltage Solid State Electronic Driver with precise current / Voltage Control, Wide Operating Voltage Range, Short Circuit / Open Circuit, High Voltage / Surge Protection, Thermal Cut Off Protection for extended life time performance.

**Optical Compartment:** *AiNL* Diffused Lighting Output.



### MOUNTING SUITABILITY

WALL MOUNTED USING ANCHOR BOLTS

### INGRESS PROTECTION

IP Rating: IP56



### NOTE

1. Luminaire is offered SEPARATLY as well as with coordinated decorative arm. Please specify your requirement.
2. Pole height for 70W/150W metal Halide is 3000-4500mm & for 12W LED & 30W COB is 2000mm

xxx

# NL-883-C-30W-COB



## APPLICATIONS



## LAMP SUITABILITY



## DIMENSIONS

### Luminaire

Length: 656mm	Width: 305mm	Depth: 150mm	CH: 6000
------------------	-----------------	-----------------	-------------

## ORDER CODE

LUMINAIRE CODE	LAMP TYPE	OPTICS
NL-572-150MHG12	150W MH-G12	SEMI CUT OFF
NL-572-150MHDE	150W MH-DE	SEMI CUT OFF
NL-572-150SV	150W HPSV-E27	SEMI CUT OFF
COLUMN CODE	HEIGHT	
NL-C6S-B12S-P6110S	6000mm SQUARE	

## DESCRIPTION FIXTURE

### 'NOVA'

Luminaire comprises multiple compartment heavy sheet Steel CRCA housing, Integral control gear comprising heavy duty Ballast, Electronic solid state Ignitor, PF Capacitor and lamp holder all duly wired. The Optical Compartment comprises a high efficiency profiled reflector for semi cut off distribution, Heat resistant toughened glass diffuser mounted through insect resistant gasket.

## DESCRIPTION MOUNTING ARM

Lighting Column made of 10 swg MS pipe section, duly machined, welded and stress relieved for long service life.

Column is provided with a heavy Base plate duly welded and provided with welded supports for stability. Ornamental base rib supports.

An integral junction Chamber is provided along with a 6 Amps SP MCB and 4 way 10 sq mm connector block.

Column and luminaire are fine finished and painted with long lasting PU based automotive paint.



SURFACE / WALL LIGHTING



## MOUNTING SUITABILITY

FLOOR STANDING ON PCC PEDESTAL

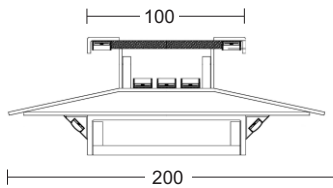
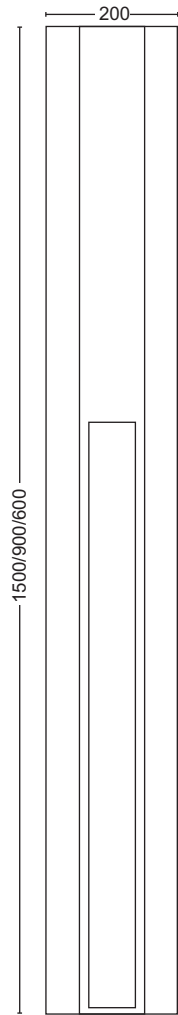
## NOTE

Luminaire is offered SEPARATLY as well as with coordinated decorative column. Please specify your requirement.



# NL-8221-WL-PRP-100W-MLED

SURFACE / WALL LIGHTING



## APPLICATIONS



## LAMP SUITABILITY



## DIMENSIONS

### Luminaire

Available in Heights of 900mm,1200mm

Luminaire Width 300mm

Luminaire Length 150mm

## ORDER CODE

LUMINAIRE CODE	LAMP TYPE	OPTICS	Watts
NL-8221-WALL-1-45W-MLED	45W-MID-POWER LED	Wide Sym	45W
NL-8221-WALL-2-100W-MLED	100W-MID-POWER LED	Wide Sym	100W

## DESCRIPTION FIXTURE

### Wall Mounted Luminaire

**Housing:** NOVA make Heavy duty Cast Aluminum OCTAGONAL housing casted using *AiNL Fabrication Technique* with symmetrical fascias provide for aesthetic period ambiance. Eight frosted glass pane diffusers. CSK SS Allen screws fixing Luminaire Head to body. Heat resistant toughened glass diffuser mounted through insect resistant gasket & silicon sealant. The housing is fine *AiNL* surface finished and painted with PU based automotive paint for extended lifetime performance.

**Electrical Component:** Luminaire available in MH & LED Lamps for varied application connected with a High Efficiency *AiNL* Ballast, Ignitor, Capacitor for Metal halide / IBU / Electronic Control gear & constant current *AiNL* LED driver. (Refer to Code References for Luminaire Selection).

**Optical Compartment:** Diffused *AiNL* Frosted Glass Panels for Diffused Lighting

## PROTECTION

IP Rating: IP65  
IK Rating: IK07



## NOTE

Downward throw luminaire

XXX

# NL-8572



## APPLICATIONS



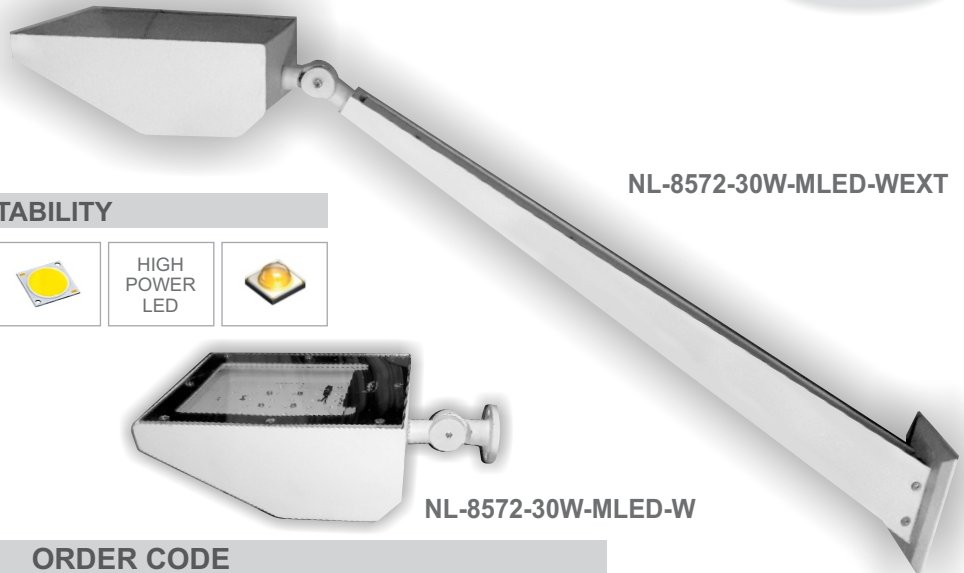
## LAMP SUITABILITY



## DIMENSIONS

### Luminaire

LENGTH 250mm	WIDTH 200mm	HEIGHT 100mm
-----------------	----------------	-----------------



## ORDER CODE

LUMINAIRE CODE	LAMP TYPE	OPTICS	Watts
NL-8572-30W-MLED-W	30W-MLED Lamp	WIDE SYM	34W
NL-8572-30W-MLED-WEXT	30W-MLED Lamp	WIDE SYM	34W

## DESCRIPTION FIXTURE

### WALL MOUNTED FIXTURE

**HOUSING:** NOVA make Architectural Uplighter Luminaire comprises aluminum housing, with top clear acrylic diffuser for optimal lighting output. Luminaire sealed using EPDM Gasket and silicon sealant for ingress protection from Dust, Insects. Luminaire fabricated and precision finished using AiNL Fabrication Technique.

**ELECTRICAL:** Luminaire Suitable for LED Lamps for optimal lighting solution. Integral control gear comprising heavy duty Constant Current AiNL LED driver for LED systems for green energy efficient lighting.

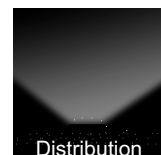
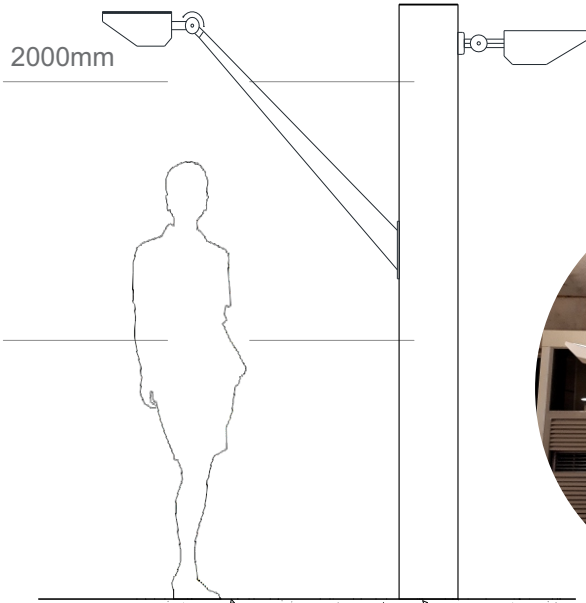
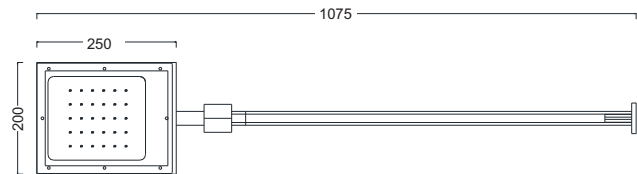
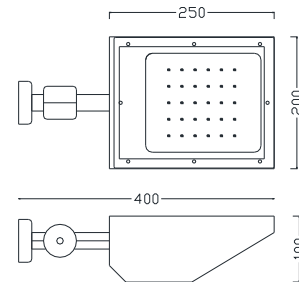
**OPTICAL:** The Optical Compartment comprises of a AiNL milky clear acrylic diffuser and wide angle LED for diffused lighting output.

## MOUNTING SUITABILITY

WALL MOUNTED

## INGRESS PROTECTION

IP Rating: IP44-FOR INDOOR APPLICATION



SURFACE / WALL LIGHTING

